



Sturdy 19" PVC mounting post for ground mounted landscape lighting. Perfect for Lawn Lights, PAR-38 and Quartz Floods. Post is 2 1/2" pipe (2 7/8" O.D.) In-ground stabilizing grid. included.

Color: Verde green

Weight: 2.0 lbs

<b>Project:</b>	<b>Type:</b>
<b>Prepared By:</b>	<b>Date:</b>

## Technical Specifications

### Listings

#### UL Listing:

Suitable for wet locations. Fixtures with ground wire must be used.

#### Construction

#### Post Materials:

UL Schedule 40 PVC pipe.

#### Set Screw:

Locks cap to post and prevents rotation.

#### Cap:

PVC.

#### Other

#### Patents:

Pat. D424,524.

#### Country of Origin:

Designed by RAB in New Jersey and assembled in Taiwan.

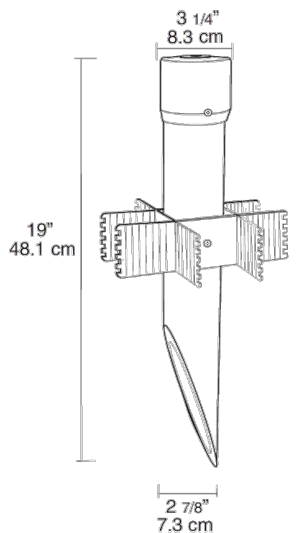
#### Trade Agreements Act Compliant:

This product is a product of Taiwan and a "designated country" end product that complies with the Trade Agreements Act.

#### GSA Schedule:

Suitable in accordance with FAR Subpart 25.4.

## Dimensions



## Features

Cleanly styled molded PVC cap

Rugged extruded PVC pipe

Sturdy "Ground Grabber" stabilizer with teeth and ribs for maximum stability

Also available a 19" PVC post and an extra rugged Die cast aluminum cap for heavier HID floods

1/2" threaded hole fits standard floodlights & lawn lights

Thick wall PVC post with molded-in color

Post Adapter lets you add outlets and sensors