



Sturdy 19" PVC mounting post for ground mounted landscape lighting. Perfect for Lawn Lights, PAR-38 and Quartz Floods. Post is 2 1/2" pipe (2 7/8" O.D.) In-ground stabilizing grid. included.

Color: White

Weight: 2.0 lbs

Project:	Type:
Prepared By:	Date:

Technical Specifications

Listings

UL Listing:

Suitable for wet locations. Fixtures with ground wire must be used.

Construction

Post Materials:

UL Schedule 40 PVC pipe.

Set Screw:

Locks cap to post and prevents rotation.

Cap:

PVC.

Other

Patents:

Pat. D424,524.

Country of Origin:

Designed by RAB in New Jersey and assembled in Taiwan.

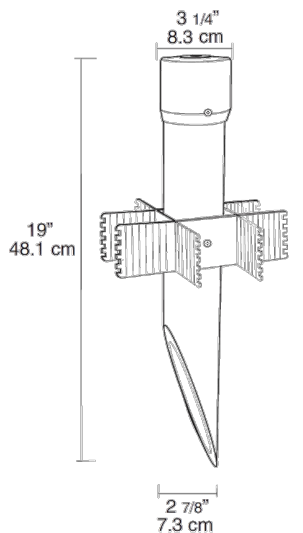
Trade Agreements Act Compliant:

This product is a product of Taiwan and a "designated country" end product that complies with the Trade Agreements Act.

GSA Schedule:

Suitable in accordance with FAR Subpart 25.4.

Dimensions



Features

Cleanly styled molded PVC cap

Rugged extruded PVC pipe

Sturdy "Ground Grabber" stabilizer with teeth and ribs for maximum stability

Also available a 19" PVC post and an extra rugged Die cast aluminum cap for heavier HID floods

1/2" threaded hole fits standard floodlights & lawn lights

Thick wall PVC post with molded-in color

Post Adapter lets you add outlets and sensors