



Replace conventional MR16 halogen bulbs. Dimmable LED, 90 CRI.

Color: White

Weight: 0.1 lbs

Case Qty: 12

| | |
|---------------------|--------------|
| Project: | Type: |
| Prepared By: | Date: |

| Driver Info | | LED Info | |
|-----------------|--------------------|----------------|------|
| Watts: | 9W | Input Voltage: | 12V |
| Color Temp: | 2700K (Soft White) | Power Factor: | 0.9 |
| Lumens: | 525 | Flicker: | <30% |
| Efficacy: | 62 LPW | THDi: | N/A |
| Color Accuracy: | 90 CRI | | |
| L70 Accuracy: | 25,000 | | |

Technical Specifications

Listings

UL Listed:

Yes

FCC:

Yes

T24:

Complies with Title 24 Appendix JA8

Rohs:

Yes

ENERGY STAR V2.0:

This product is ENERGY STAR® Version 2.0 Certified

Description

Dimmable:

Yes

Lamp Type:

Mini-reflector

Bulb Type:

MR16

Base Type:

GU5.3

Material:

Aluminum

LED Characteristics

Lifespan:

25,000-hour LED lifespan based on IES LM-70 results

Other

Equivalent:

50W Halogen MR16

Warranty:

4 years

Optical

Beam Angle:

35°

Shipping Information

Case Dimensions:

7.68 x 5.71 x 2.56

Pallet Quantity of Pieces:

2064

Pallet Dimensions:

47.83 x 39.96 x 10.24

Construction

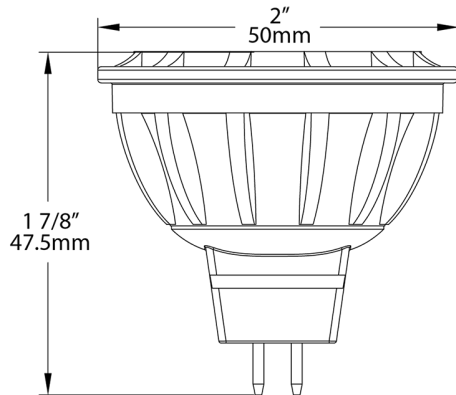
MOL:

1.87"

MOD:

1.97"

Dimensions



Features

Saves 80% energy compared to traditional Halogen small diameter reflectors

90 CRI: Produces rich and vibrant colors

25,000 and 40,000 hours - Long life and extra-long life

Suitable for damp locations

Suitable for use in enclosed fixtures