



HID Sensors including Passive Infrared and Microwave. Surge Protectors rated for 10KV, and a 480V step down transformer.

Color: White

Weight: 0.3 lbs

<b>Project:</b>	<b>Type:</b>
<b>Prepared By:</b>	<b>Date:</b>

Driver Info		LED Info	
Watts	8.00W	Input Voltage	N/A
Color Temp	N/A	Power Factor	N/A
Lumens	N/A	Flicker	N/A
Efficacy	0 LPW	THDi	N/A
Color Accuracy	N/A	R9	
L70 Accuracy			

**Technical Specifications**

**Technical Specifications**

**Product Type:**

MW Sensor

**Operating Temperature:**

-20°C - 60°C

**Warranty:**

5-Year, No-Compromise Warranty

**For Use in Emergency Fixtures:**

No

**For Use Outdoors in Open Fixtures:**

No

**Electrical Characteristics**

**Operating Frequency:**

DC

**Input Current @ 120V:**

Max 0.1mA @15V

**Listings**

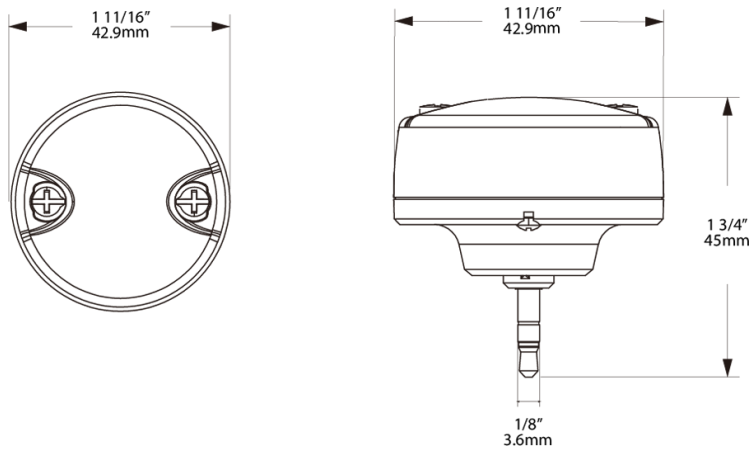
**UL Listed:**

Yes

**CEC Status:**

Lawful for sale in California

## Dimensions



## Features

MOTION DETECTING: INFARED Sensor: PIR-S detects up to 10M (33ft)

120°  $\frac{1}{2}$  SENSING ANGLE: Wide angle allows for accurate sensing

STEP DIMMING: Four brightness settings available

STEP HOLD TIME: Four time settings available