

Easy to install 2" new construction deep regress rough-in for use with RDDLED2 trims. The Remodeler Trim component must be ordered with the New Construction Housing in order to make a complete fixture. Available in flush trim for a trimless look without the mess left behind from ceiling finishing work.

Color: Natural

Weight: 1.6 lbs

|                     |              |
|---------------------|--------------|
| <b>Project:</b>     | <b>Type:</b> |
| <b>Prepared By:</b> | <b>Date:</b> |

| Driver Info  |     | LED Info        |      |
|--------------|-----|-----------------|------|
| Type:        | N/A | Watts:          | 0W   |
| 120V:        | N/A | Color Temp:     | Sold |
| 208V:        | N/A | Color Accuracy: | N/A  |
| 240V:        | N/A | L70 Lifespan:   | N/A  |
| 277V:        | N/A | Lumens:         | N/A  |
| Input Watts: | 0W  | Efficacy:       | N/A  |
| Efficiency:  | N/A |                 |      |

## Technical Specifications

### Listings

#### UL Listed:

Suitable for wet locations in a covered ceiling

#### ENERGY STAR® V2.0:

This product is ENERGY STAR® Version 2.0 Certified.

### Construction

#### IC Rating:

Suitable for direct contact with insulation

#### Housing Component:

This component must be ordered with the 2 inch deep regress downlights trim in order to make a complete fixture.

#### Housing:

Professional-grade, heavy-gauge steel construction with 1/2" trim.

#### Mounting:

Housing includes nailer bars and butterfly brackets. Brackets also accommodate mounting with 1/4" to 1/2" bar stock, C channel or 1/2" conduit.

#### Junction Box:

Integral junction box with wiring capacity for Min 60°C supply conductors  
End of Run

#### Easy Installation:

Ceiling clamps install quickly and hold housing securely. Clamp ceilings from 1/2" to 2 1/2" thick, with course and fine adjustments.

### Other

#### Air Tight:

Housing certified Air Tight as per ASTM E283

#### Trim:

1/2" trim

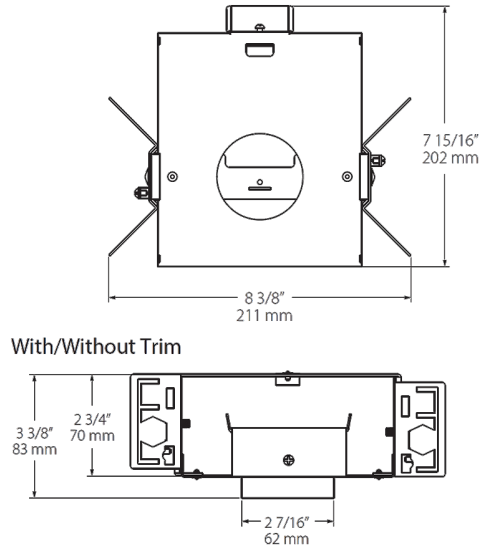
#### Warranty:

RAB warrants that our LED products will be free from defects in materials and workmanship for a period of five (5) years from the date of delivery to the end user, including coverage of light output, color stability, driver performance and fixture finish.

#### Buy American Act Compliance:

RAB values USA manufacturing! Upon request, RAB may be able to manufacture this product to be compliant with the Buy American Act (BAA). Please contact customer service to request a quote for the product to be made BAA compliant.

## Dimensions



## Features

- 10W replaces 75W MR16
- Universal dimming (TRIAC, ELV and 0-10V) for optimal light control
- Deep regress design improves visual cutoff and reduces glare

## Ordering Matrix

| Family | Size/Shape                      | Trim Style                     |
|--------|---------------------------------|--------------------------------|
| ND     | 2R                              | T                              |
|        | 2R = 2" Round<br>2S = 2" Square | T = 1/2" Trim<br>TL = Trimless |