



Easy to install 2" new construction rough-in for use with RDLED2 trims. The Remodeler Trim component must be ordered with the New Construction Housing in order to make a complete fixture. Available in flush trim for a trimless look without the mess left behind from ceiling finishing work.

Color: Natural

Weight: 1.6 lbs

| | |
|---------------------|--------------|
| Project: | Type: |
| Prepared By: | Date: |

| Driver Info | | LED Info | |
|--------------|-----|-----------------|------|
| Type: | N/A | Watts: | 0W |
| 120V: | N/A | Color Temp: | Sold |
| 208V: | N/A | Color Accuracy: | N/A |
| 240V: | N/A | L70 Lifespan: | N/A |
| 277V: | N/A | Lumens: | N/A |
| Input Watts: | 0W | Efficacy: | N/A |
| Efficiency: | N/A | | |

Technical Specifications

Listings

UL Listed:

Suitable for wet locations in a covered ceiling

Construction

IC Rating:

Suitable for direct contact with insulation

Housing Component:

This component must be ordered with the 2 inch downlights trim in order to make a complete fixture.

Housing:

Professional-grade, heavy-gauge steel construction with 1 1/4" spackle flange for trim less installation.

Mounting:

Housing includes nailer bars and butterfly brackets. Brackets also accommodate mounting with 1/4" to 1/2" bar stock, C channel or 1/2" conduit.

Junction Box:

Integral junction box with wiring capacity for Min 60°C supply conductors
End of Run

Easy Installation:

Ceiling clamps install quickly and hold housing securely. Clamp ceilings from 1/2" to 2 1/2" thick, with course and fine adjustments.

Other

Air Tight:

Housing certified Air Tight as per ASTM E283

Trimless Look:

Flush trim for a trimless look without the hassle. Complete ceiling finishing work (spackling, sanding, painting) before installing to ensure a clean trim.

California Title 24:

ND2TL complies with 2013 California Title 24 building and electrical codes as a commercial indoor fixture for general spaces when used with a RAB 2 inch LED downlight, a vacancy sensor and TRIAC dimming control. Select a vacancy sensor using catalog number LVS800. TRIAC dimmer provided by others.

Warranty:

RAB warrants that our LED products will be free from defects in materials and workmanship for a period of ten (10) years from the date of delivery to the end user, including coverage of light output, color stability, driver performance and fixture finish.

Country of Origin:

Designed by RAB in New Jersey and assembled in the USA by RAB's IBEW Local 3 workers.

Buy American Act Compliant:

This product is a COTS item manufactured in the United States, and is compliant with the Buy American Act.

Recovery Act (ARRA) Compliant:

This product complies with the 52.225-21 "Required Use of American Iron, Steel, and Manufactured Goods-- Buy American Act-- Construction Materials (October 2010)

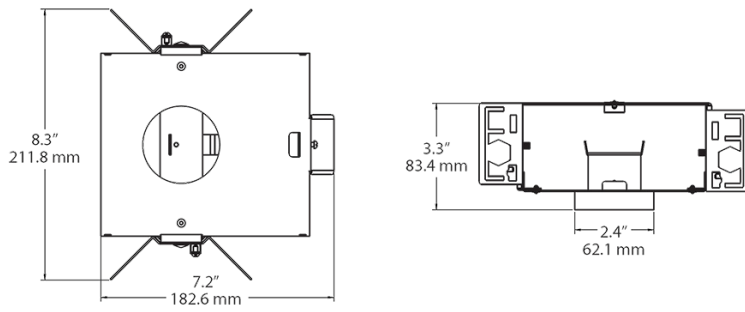
Trade Agreements Act Compliant:

This product is a COTS item manufactured in the United States, and is compliant with the Trade Agreements Act.

GSA Schedule:

Suitable in accordance with FAR Subpart 25.4.

Dimensions



Features

- Butterfly bracket allows mounting with bar stock, "C" channel, 1/2" conduit or nailer bars
- Low-profile design allows for installation in ceilings with limited space
- IC rated without additional hardware required

Ordering Matrix

| Family | Size | Trim |
|--------|--------|--------------|
| ND | 2 = 2" | T = Trimless |