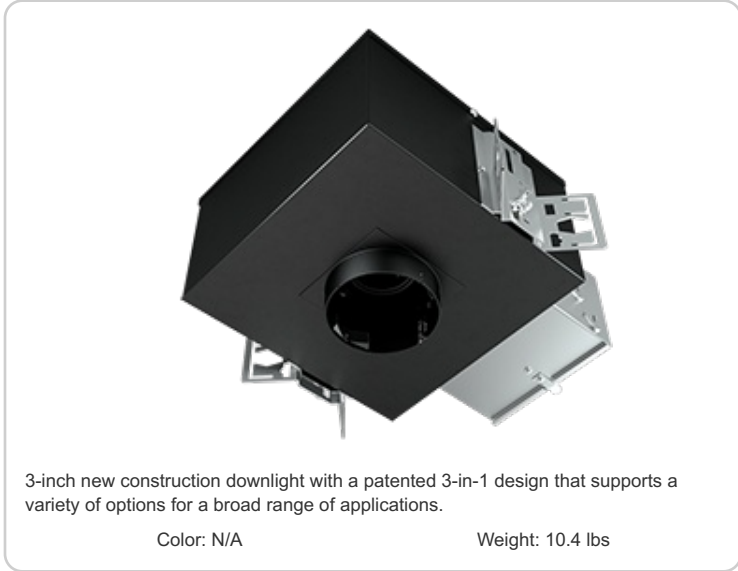


# NDICLED3R-15LYNHC-TL



<b>Project:</b>	<b>Type:</b>
<b>Prepared By:</b>	<b>Date:</b>

<b>Driver Info</b>		<b>LED Info</b>	
Type:	Constant Current	Watts:	15W
120V:	0.12A	Color Temp:	3500K
208V:	0.08A	Color Accuracy:	90 CRI
240V:	0.07A	L70 Lifespan:	100,000
277V:	0.06A	Lumens:	839 - 1060
Input Watts:	15W	Efficacy:	56 LPW
Efficiency:	N/A		

## Technical Specifications

### Listings

#### UL Listing:

Suitable for wet locations in a covered ceiling (adjustable models suitable for damp locations).

### Optical

#### Photometrics:

Photometrics are based on prorated reports. Contact the RAB Lighting Design department for the most up-to-date data.

#### Optics:

High-efficiency TIR optics. Available as a downlight (80° or 50° beam), adjustable (40° or 20° beam with 40° vertical adjustment and 360° rotation), or a wall washer.

### Construction

#### IC Rating:

Suitable for direct contact with insulation

#### Trim:

Accepts trimless cones (spackle flange included)

#### Housing Component:

This component must be ordered with New Construction Round Trim Module in order to make a complete fixture.

#### Cold Weather Starting:

Minimum starting temperature is -40° F (-40° C)

#### Maximum Ambient Temperature:

Suitable for use in 104° F (40°C) ambient temperatures

#### Housing:

Cold-rolled steel and aluminum

#### Installation:

Nailer bar and butterfly brackets included; C-channels optional for acoustic tiles

#### Green Technology:

Mercury and UV free. RoHS compliant components.

### LED Characteristics

#### Lifespan:

100,000-hour LED lifespan based on IES LM-80 results and TM-21 calculations.

#### Color Consistency:

2-step u'-v' Circle Tolerance, previously referred to as 2-step MacAdam Ellipse, achieves consistent fixture-to-fixture color (ANSI standard C78.377.2015)

### Electrical

#### Driver:

Constant Current, Class 2, 120-277V, 50/60Hz, 120V: 0.12A, 208V: 0.08A, 240V: 0.07A, 277V: 0.06A

#### Dimming Driver:

Universal dimming driver supports TRIAC, ELV and 0-10V.

#### Surge Protection:

2kV

#### Performance:

80° white: 933 lumens, 64 lm/W  
50° white: 965 lumens, 67 lm/W  
40°A white: 1024 lumens, 71 lm/W  
20°A white: 1009 lumens, 70 lm/W  
WW white: 641 lumens, 44 lm/W

80° matte: 938 lumens, 65 lm/W  
50° matte: 973 lumens, 67 lm/W  
40°A matte: 1060 lumens, 73 lm/W  
20°A matte: 1044 lumens, 72 lm/W  
WW matte: 676 lumens, 47 lm/W

80° black: 721 lumens, 50 lm/W  
50° black: 872 lumens, 60 lm/W  
40°A black: 981 lumens, 68 lm/W  
20° black: 982 lumens, 68 lm/W  
WW black: 839 lumens, 30 lm/W

### Other

#### Aperture Size:

3" Rough-In

#### Special Order:

Available in battery backup option by special request. Contact RAB customer service to order.

#### Warranty:

RAB warrants that our LED products will be free from defects in materials and workmanship for a period of five (5) years from the date of delivery to the end user, including coverage of light output, color stability, driver performance and fixture finish.

#### Country of Origin:

Designed by RAB in New Jersey and assembled in the USA by RAB's IBEW Local 3 workers.

#### Buy American Act Compliant:

This product is a COTS item manufactured in the United States, and is compliant with the Buy American Act.

#### Recovery Act (ARRA) Compliant:

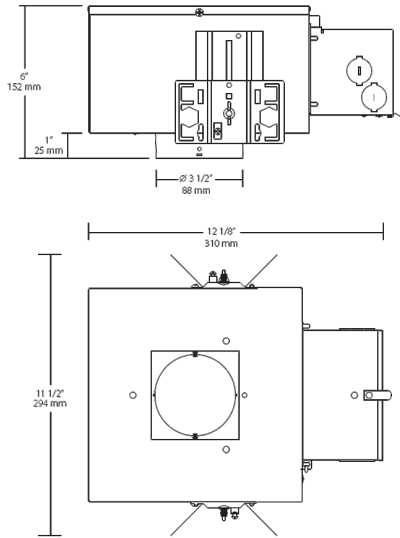
This product complies with the 52.225-21 "Required Use of American Iron, Steel, and Manufactured Goods-- Buy American Act-- Construction Materials (October 2010).

#### GSA Schedule:

Suitable in accordance with FAR Subpart 25.4.

# NDICLED3R-15LYNHC-TL

## Dimensions



## Features

- 3-in-1 housing accommodates downlight, adjustable or wall washer
- Universal driver supports TRIAC, ELV and 0-10 dimming
- IC-rated, Certified Air Tight
- 100,000 hour LED lifespan
- 5-year no-compromise warranty

## Ordering Matrix

Family	Size	Shape	Wattage	Driver	Color Temp	CRI	Trim	Installation
NDICLED	3	R	15	L	YN	HC	TL	
	3 = 3"	R = Round	25 = 25W 15 = 15W	D = TRIAC, ELV, 0-10V Dimming L = Lutron	N = 4000K (Neutral) YN = 3500K (Warm Neutral) Y = 3000K (Warm) YY = 2700K (Residential Warm)	Blank = 80 CRI HC = 90 CRI	Blank = Accepts cones with trim TL = Accepts trimless cones (spackle flange included)	Blank = Standard CP = Chicago Plenum