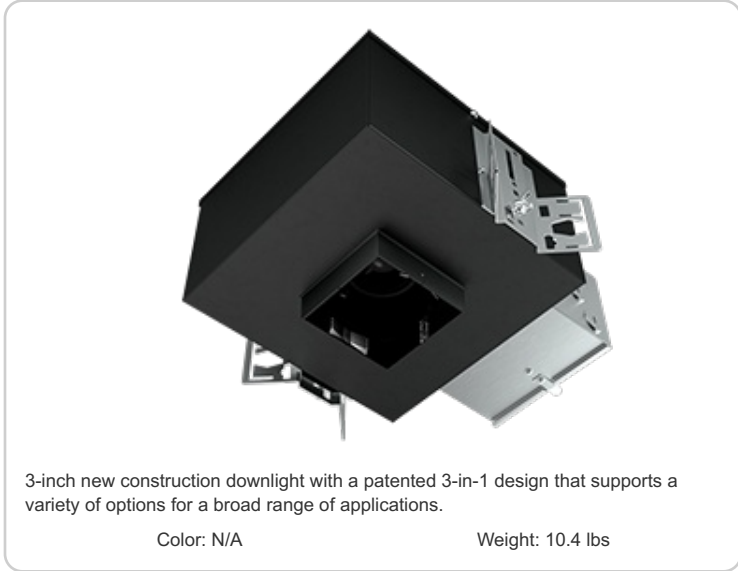


NDICLED3S-15DYNHC-CP



Project:	Type:
Prepared By:	Date:

Driver Info		LED Info	
Type:	Constant Current	Watts:	15W
120V:	0.12A	Color Temp:	3500K
208V:	0.08A	Color Accuracy:	90 CRI
240V:	0.07A	L70 Lifespan:	100,000
277V:	0.06A	Lumens:	492 - 1034
Input Watts:	15W	Efficacy:	33 LPW
Efficiency:	N/A		

Technical Specifications

Listings

UL Listing:

Suitable for wet locations in a covered ceiling (adjustable models suitable for damp locations).

Chicago Plenum Compliance:

To be compliant with City of Chicago Environmental Air (CCEA), all recessed luminaire wiring must be enclosed in airtight metal, with temperature rated seals and gaskets separating the fixture from the plenum air space.

Optical

Photometrics:

Photometrics are based on prorated reports. Contact the RAB Lighting Design department for the most up-to-date data.

Optics:

High-efficiency TIR optics. Available as a downlight (80° or 50° beam), adjustable (40° or 20° beam with 40° vertical adjustment and 360° rotation), or a wall washer.

Construction

IC Rating:

Suitable for direct contact with insulation

Trim:

Accepts cones with trim

Housing Component:

This component must be ordered with New Construction Round Trim Module in order to make a complete fixture.

Cold Weather Starting:

Minimum starting temperature is -40° F (-40° C)

Maximum Ambient Temperature:

Suitable for use in 104° F (40°C) ambient temperatures

Housing:

Cold-rolled steel and aluminum

Installation:

Nailer bar and butterfly brackets included; C-channels optional for acoustic tiles

Green Technology:

Mercury and UV free. RoHS compliant components.

LED Characteristics

Lifespan:

100,000-hour LED lifespan based on IES LM-80 results and TM-21 calculations.

Color Consistency:

2-step u'-v' Circle Tolerance, previously referred to as 2-step MacAdam Ellipse, achieves consistent fixture-to-fixture color (ANSI standard C78.377.2015)

Electrical

Driver:

Constant Current, Class 2, 120-277V, 50/60Hz, 120V: 0.12A, 208V: 0.08A, 240V: 0.07A, 277V: 0.06A

Dimming Driver:

Universal dimming driver supports TRIAC, ELV and 0-10V.

Surge Protection:

2kV

Performance:

80° white: 913 lumens, 63 lm/W
 50° white: 952 lumens, 66 lm/W
 40°A white: 1018 lumens, 70 lm/W
 20°A white: 997 lumens, 68 lm/W
 WW white: 665 lumens, 46 lm/W

80° matte: 918 lumens, 63 lm/W
 50° matte: 954 lumens, 66 lm/W
 40°A matte: 1034 lumens, 71 lm/W
 20°A matte: 1014 lumens, 70 lm/W
 WW matte: 688 lumens, 47 lm/W

80° black: 766 lumens, 53 lm/W
 50° black: 886 lumens, 61 lm/W
 40°A black: 974 lumens, 67 lm/W
 20° black: 943 lumens, 65 lm/W
 WW black: 492 lumens, 34 lm/W

Other

Aperture Size:

3" Rough-In

Special Order:

Available in battery backup option by special request. Contact RAB customer service to order.

Warranty:

RAB warrants that our LED products will be free from defects in materials and workmanship for a period of five (5) years from the date of delivery to the end user, including coverage of light output, color stability, driver performance and fixture finish.

Country of Origin:

Designed by RAB in New Jersey and assembled in the USA by RAB's IBEW Local 3 workers.

Buy American Act Compliant:

This product is a COTS item manufactured in the United States, and is compliant with the Buy American Act.

Recovery Act (ARRA) Compliant:

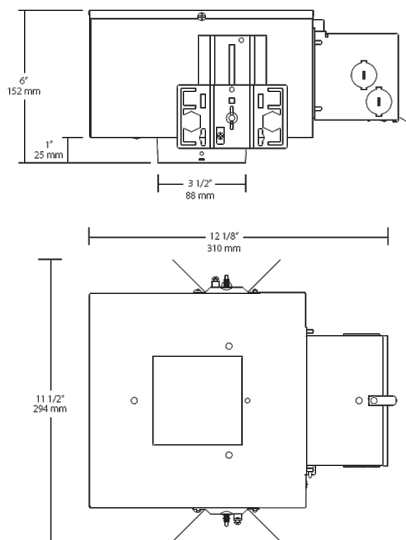
This product complies with the 52.225-21 "Required Use of American Iron, Steel, and Manufactured Goods-- Buy American Act-- Construction Materials (October 2010).

GSA Schedule:

Suitable in accordance with FAR Subpart 25.4.

NDICLED3S-15DYNHC-CP

Dimensions



Features

- 3-in-1 housing accommodates downlight, adjustable or wall washer
- Universal driver supports TRIAC, ELV and 0-10 dimming
- IC-rated, Certified Air Tight
- 100,000 hour LED lifespan
- 5-year no-compromise warranty

Ordering Matrix

Family	Size	Shape	Wattage	Driver	Color Temp	CRI	Trim	Installation
NDICLED	3	S	15	D	YN	HC		CP
	3 = 3"	S = Square	25 = 25W 15 = 15W	D = TRIAC, ELV, 0-10V Dimming L = Lutron	N = 4000K (Neutral) YN = 3500K (Warm Neutral) Y = 3000K (Warm) YY = 2700K (Residential Warm)	Blank = 80 CRI HC = 90 CRI	Blank = Accepts cones with trim TL = Accepts trimless cones (spackle flange included)	Blank = Standard CP = Chicago Plenum