



High-performance LED downlight module for use with RAB new construction rough-in. Microprismatic diffusion lens optimizes lumen output and delivers smooth, uniform illumination that enhances any space.

Color: Specular silver cone silver trim

Weight: 1.2 lbs

**Project:**

**Type:**

**Prepared By:**

**Date:**

**Driver Info**

Type: See Rough-in\*  
 120V: See Rough-in\*  
 208V: See Rough-in\*  
 240V: See Rough-in\*  
 277V: See Rough-in\*  
 Input Watts: See Rough-in\*  
 Efficiency: N/A

**LED Info**

Watts: 12W or 20W\*  
 Color Temp: 2700K  
 Color Accuracy: 80 CRI  
 L70 Lifespan: 100000  
 Lumens: 12W:1153\*  
 20W:1547\*  
 Efficacy: N/A

## Technical Specifications

### Listings

**UL Listed:**

Suitable for wet locations covered ceiling.

**ENERGY STAR:**

This product is ENERGY STAR® qualified.

### Optical

**Photometrics:**

Photometrics are based on prorated reports. Contact the RAB Lighting Design department for the most up-to-date data.

**Optics:**

Wall wash optics engineered for wide lateral distribution and smooth soft light from ceiling to floor.

### Construction

**Trim Component:**

This component must be ordered with New Construction Round Rough-In in order to make a complete fixture.

**Housing:**

Professional-grade, die-cast aluminum construction.

**Trim Ring:**

Silver powder coated die cast trim ring.

**Trim Cone:**

Specular silver round trim cone.

**Drop Ceiling Installation:**

NDLED can be installed in drop ceiling tiles when using optional c-channel bars and following local construction codes.

**Aperture Size:**

4" Trim Module.

**Junction Box:**

Integral junction box with wiring capacity for Min 90°C supply conductors  
 4 in 4 out

**Easy Installation:**

The EZ-Connector makes installation easy.

### Electrical

**Dimming:**

Dimmable. Requires rough-in with dimming driver.

**Dimming Driver:**

0 - 10V (at 120-277V), TRIAC and ELV (at 120V only).

### LED Characteristics

**Color Consistency:**

3-step MacAdam Ellipse binning to achieve consistent fixture-to-fixture color.

### Other

**California Title 24:**

NDLED4R complies with 2013 California Title 24 building and electrical codes as a residential indoor fixture and commercial indoor fixture for general spaces.

**Warranty:**

RAB warrants that our LED products will be free from defects in materials and workmanship for a period of five (5) years from the date of delivery to the end user, including coverage of light output, color stability, driver performance and fixture finish.

**Country of Origin:**

Designed by RAB in New Jersey and assembled in the USA by RAB's IBEW Local 3 workers.

**Buy American Act Compliant:**

This product is a COTS item manufactured in the United States, and is compliant with the Buy American Act.

**Recovery Act (ARRA) Compliant:**

This product complies with the 52.225-21 "Required Use of American Iron, Steel, and Manufactured Goods-- Buy American Act-- Construction Materials (October 2010).

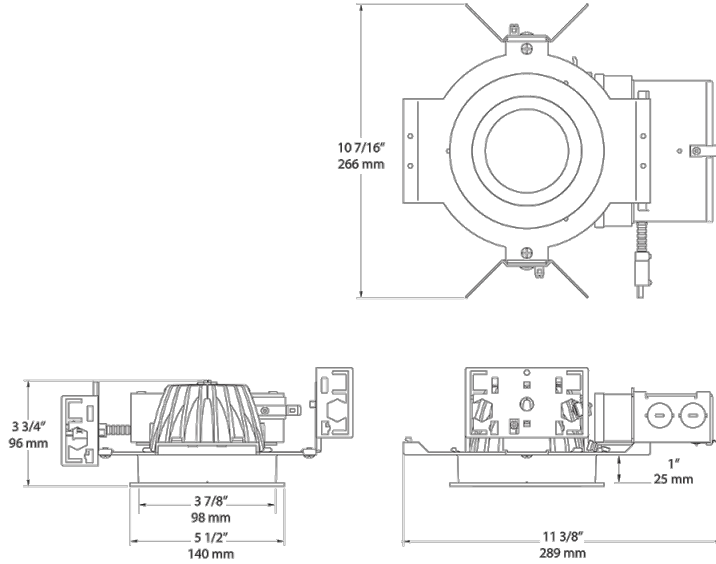
**Trade Agreements Act Compliant:**

This product is a COTS item manufactured in the United States, and is compliant with the Trade Agreements Act.

**GSA Schedule:**

Suitable in accordance with FAR Subpart 25.4.

## Dimensions



## Features

- Butterfly bracket allows mounting with bar stock, "C" channel, 1/2" conduit or nailer bars
- Low-profile design allows for installation in ceilings with limited space
- Absolute White 3-step consistency and black body accurate
- Nanostructure lens eliminates "hot spots" providing smooth and efficient light

## Ordering Matrix

Family	Size	Shape	Driver	Beam Spread	Color Temp	CRI	Cone Color	Trim Color
NDLED	4	R	D	W	YY		S	S
	4 = 4"	R = Round	D = Universal Dimming	50 = 50° 80 = 80° W = Wall Washer	YY = 2700K (Residential Warm) Y = 3000K (Warm) YN = 3500K (Warm Neutral) N = 4000K (Neutral)	Blank = 82 CRI HC = 92 CRI	S = Silver M = Matte Silver W = White B = Black	S = Silver W = White B = Black