



Die-cast aluminum trim cone with high-efficiency TIR optics.

Color: White

Weight: 0.8 lbs

<b>Project:</b>	<b>Type:</b>
<b>Prepared By:</b>	<b>Date:</b>

Driver Info		LED Info	
Type:	Sold Separately	Watts:	0W
120V:	See Rough-in*	Color Temp:	N/A
208V:	See Rough-in*	Color Accuracy:	N/A
240V:	See Rough-in*	L70 Lifespan:	See Rough-In*
277V:	See Rough-in*	Lumens:	N/A
Input Watts:	0W	Efficacy:	N/A
Efficiency:	N/A		

### Technical Specifications

**Listings**

**UL Listing:**

Suitable for wet locations in a covered ceiling

**Optical**

**Photometrics:**

Photometrics are based on prorated reports. Contact the RAB Lighting Design department for the most up-to-date data.

**Optics:**

High-efficiency TIR optics available as a trimmed 50° beam downlight. Optic and trim cone included.

**Construction**

**Trim Component:**

This component must be ordered with New Construction Rough-In in order to make a complete fixture.

**Trim Cone:**

White square trim cone, die-cast aluminum.

**Trim:**

Trimmed

**Lens:**

Low-glare Solite glass eliminates "hot spots", and helps provide smooth, uniform light

**Installation:**

Nailer bar and butterfly brackets included; C-channels optional for acoustic tiles

**Green Technology:**

Mercury and UV free. RoHS compliant components.

**Other**

**Aperture Size:**

3" Trim Module

**Warranty:**

RAB warrants that our LED products will be free from defects in materials and workmanship for a period of five (5) years from the date of delivery to the end user, including coverage of light output, color stability, driver performance and fixture finish.

**Country of Origin:**

Designed by RAB in New Jersey and assembled in the USA by RAB's IBEW Local 3 workers.

**Buy American Act Compliant:**

This product is a COTS item manufactured in the United States, and is compliant with the Buy American Act.

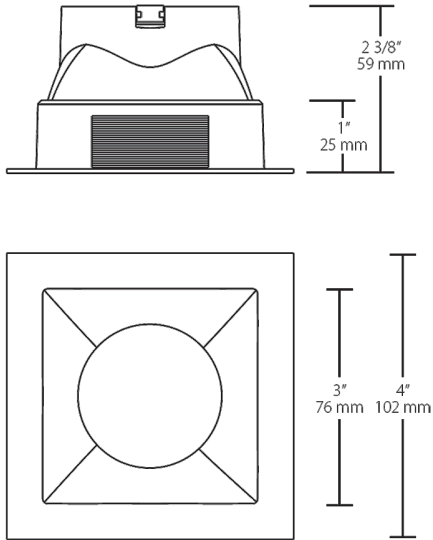
**Recovery Act (ARRA) Compliant:**

This product complies with the 52.225-21 "Required Use of American Iron, Steel, and Manufactured Goods-- Buy American Act-- Construction Materials (October 2010).

**GSA Schedule:**

Suitable in accordance with FAR Subpart 25.4.

### Dimensions



### Features

- Durable die-cast aluminum
- High-efficiency TIR optics
- Optic and trim included

### Ordering Matrix

Family	Size	Shape	Optics	Color	Trim
NDTRIM	3	S	50	W	
	3 = 3"	S = Square	80 = 80° Downlight 50 = 50° Downlight 40A = 40° Adjustable 20A = 20° Adjustable W = Wall Washer	B = Black W = White M = Matte Silver	Blank = Trimmed TL = Trimless