



Replace 100W and 250W PAR38 lamps. Dimmable LED, 80 CRI. 250W model is weatherproof.

Color: White

Weight: 0.9 lbs

Case Qty: 6

<b>Project:</b>	<b>Type:</b>
<b>Prepared By:</b>	<b>Date:</b>

Driver Info		LED Info	
Watts:	15W	Input Voltage:	120V
Color Temp:	3000K (Warm White)	Power Factor:	0.7
Lumens:	1,050	Flicker:	<30%
Efficacy:	70 LPW	THDi:	N/A
Color Accuracy:	80 CRI		
L70 Accuracy:	25,000		

## Technical Specifications

### Listings

**UL Listed:**

Yes

**FCC:**

Yes

**Rohs:**

Yes

### Description

**Dimmable:**

Yes

**Lamp Type:**

Reflector

**Bulb Type:**

R20

**Base Type:**

E26, Medium Screw Base

**Material:**

Plastic

### LED Characteristics

**Lifespan:**

25,000-hour LED lifespan based on IES LM-70 results

**Other**

**Equivalent:**

100W Halogen PAR38

**Warranty:**

4 years

### Optical

**Beam Angle:**

40°

### Shipping Information

**Case Dimensions:**

15.118 x 10.197 x 6.063

**Pallet Quantity of Pieces:**

480

**Pallet Dimensions:**

45.35 x 35.51 x 48.5

### Construction

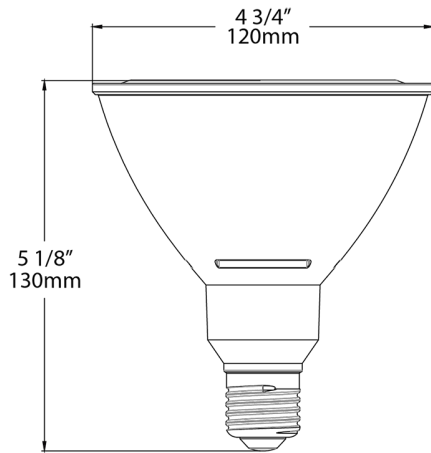
**MOL:**

5.2"

**MOD:**

4.76"

## Dimensions



## Features

- 25,000-hour lifespan. 80 CRI
- Save up to 85% on energy
- Produces rich and vibrant colors
- Dimmable
- Use in enclosed or open fixtures
- Suitable for damp locations
- Shatterproof