



High-Output PAR replacements for halogen and metal halide. Exceptional 90CRI color rendering and compatible on universal voltage.

Color: White

Weight: 1.2 lbs

Project:

Type:

Prepared By:

Date:

Driver Info

Watts 26.00W
 Color Temp 4000K (Cool White)
 Lumens 2,400
 Efficacy 92.3 LPW
 Color Accuracy 90 CRI
 L70 Accuracy 25,000

LED Info

Input Voltage 120-277
 Power Factor 0.9
 Flicker <30%
 THDi N/A
 R9 >50

Technical Specifications

Technical Specifications

Product Type:

HID

Bulb Shape:

PAR38

Wattage:

26W

Wattage Equivalency:

250W/70W MH HID

Typical Lumen Output:

2400

Efficacy:

92 lm/W

Color Temperature:

4000K Cool White

CRI:

90

Base Type:

E26

L70 Lifespan:

25,000 hours

Operating Temperature:

-25°C - 40°C

Dimmable:

No

Beam Angle:

25°

Warranty:

4-Year, No-Compromise Warranty

For Use in Emergency Fixtures:

No

For Use Outdoors in Open Fixtures:

No

Electrical Characteristics

Input Voltage:

120-277V

Power Factor:

0.9

Operating Frequency:

60 Hz

Technical Specifications (continued)

Electrical Characteristics

Input Current @ 120V:

225mA

Input Current @ 277V:

105mA

Flicker:

<30%

Listings

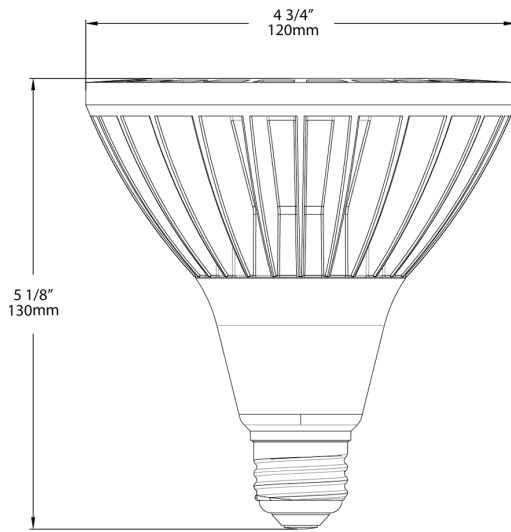
UL Listed:

Yes

CEC Status:

Not lawful for sale in California

Dimensions



Features

- HIGH-OUTPUT PAR - Replaces halogen and metal halide.
- EXCEPTIONAL 90CRI color rendering
- UNIVERSAL voltage compatibility
- DAMP RATED - Suitable for use outdoors
- SHATTERPROOF - Plastic constructed bulbs ideal for rugged applications
- ENCLOSED FIXTURE RATED - May be used in enclosed and open fixtures
- ENERGY SAVINGS - Uses 85% less energy