



|                     |              |
|---------------------|--------------|
| <b>Project:</b>     | <b>Type:</b> |
| <b>Prepared By:</b> | <b>Date:</b> |

| Driver Info |                  | LED Info       |               |
|-------------|------------------|----------------|---------------|
| Type        | Constant Current | Watts          | 45W           |
| 120V        | 0.38A            | Color Temp     | 5000K (Cool)  |
| 208V        | N/A              | Color Accuracy | 76 CRI        |
| 240V        | N/A              | L70 Lifespan   | 100,000 Hours |
| 277V        | N/A              | Lumens         | 5,629         |
| Input Watts | 45.2W            | Efficacy       | 124.5         |

**Technical Specifications**

**Compliance**

**UL Listed:**

Suitable for wet locations

**DLC Listed:**

This product is on the Design Lights Consortium (DLC) Qualified Products List and is eligible for rebates from DLC Member Utilities. Designed to meet DLC 5.1 requirements.

DLC Product Code: S-B1PUE0

**LED Characteristics**

**LEDs:**

Long-life, high-efficacy, surface-mount LEDs

**Electrical**

**Driver:**

Driver on board, Class B, 50/60 Hz, 120V: 0.38A

**Dimming Driver:**

Integrated/embedded revise Phase-Cut stepped luminaire-level dimming control. Ten discrete dimming steps plus off and full on are accomplished by modification of the voltage, current, and waveform to produce varying light output. Controller is remote located from fixture or junction box or can be located by the electrical panel.

**THD:**

4.94% at 120V

**Power Factor:**

99.4% at 120V

**Surge Protection:**

3kA

**Performance**

**Lifespan:**

100,000-Hour LED lifespan based on IES LM-80 results and TM-21 calculations

**Construction**

**IP Rating:**

Ingress protection rating of IP65 for dust and water

**Cold Weather Starting:**

The minimum starting temperature is -40°C (-40°F)

**Maximum Ambient Temperature:**

Suitable for use in up to 40°C (104°F)

**Sensor Specifications**

**Maximum Mounting Height:**

13 ft.

**Voltage:**

5V

## Technical Specifications (continued)

### Sensor Specifications

#### Dimming:

Default factory setting: 30% dimming output

#### Operating Temperature:

-20°C - 60°C (-4°F - 140°F)

#### Storage Temperature:

20°C - 70°C (-40°F - 158°F)

#### Operating Humidity:

5% - 93% without condensation

#### IP Rating:

IP20

#### Warm Up Time:

45s +/- 5s

#### Standby (w):

<0.3W

#### Module Interaction:

Wire AWG 22 (Grey Dim -, Purple Dim +, Yellow 5V DC)

#### Bi-Level:

30% after 20min delay then 3s to 30%

#### Other

#### 5 Yr Limited Warranty:

The RAB 5-year, limited warranty covers light output, driver performance and paint finish. RAB's warranty is subject to all terms and conditions found at [rablighting.com/warranty](http://rablighting.com/warranty).

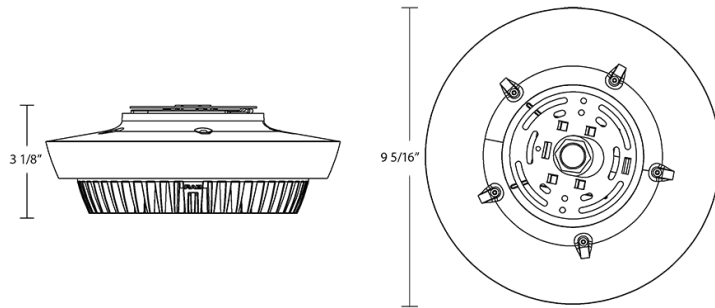
#### Buy American Act Compliance:

RAB values USA manufacturing! Upon request, RAB may be able to manufacture this product to be compliant with the Buy American Act (BAA). Please contact customer service to request a quote for the product to be made BAA compliant.

#### Equivalency:

Equivalent to 175W Metal Halide

## Dimensions



## Features

- IP65 Rated
- 100,000-Hour LED lifespan
- 5-Year, Limited Warranty

## Ordering Matrix

| Family | Wattage                          | Color Temp                              | Finish    | Voltage                    | Options  |
|--------|----------------------------------|---|-----------|----------------------------|--|
| PARK34 | -                                | 45                                      | W         | /120                       | /PIR/BL  |
|        | 30 = 30W<br>45 = 45W<br>60 = 60W | Blank = 5000K Cool<br>N = 4000K Neutral | W = White | /120 = 120V<br>/277 = 277V | Blank = No Option<br>/PIR/BL = Passive Infrared Sensor w/ Bi-Level |