



The low-cost floodlight family just upped its game. PIP™ - now up to 45W of affordable LED light.

Color: White

Weight: 4.6 lbs

Project:	Type:
Prepared By:	Date:

Driver Info		LED Info	
Type:	Constant Current	Watts:	45W
120V:	0.42A	Color Temp:	5000K
208V:	0.26A	Color Accuracy:	78 CRI
240V:	0.22A	L70 Lifespan:	60000
277V:	0.19A	Lumens:	6,387
Input Watts:	49W	Efficacy:	129 LPW
Efficiency:	91%		

Technical Specifications

Listings

UL Listing:

Suitable for wet locations. Suitable for ground mounting.

DLC Listed:

This product is listed by Design Lights Consortium (DLC) as an ultra-efficient premium product that qualifies for the highest tier of rebates from DLC Member Utilities.

DLC Product Code:PSRDR38U

IESNA LM-79 & LM-80 Testing:

RAB LED luminaires have been tested by an independent laboratory in accordance with IESNA LM-79 and LM-80, and have received the Department of Energy "Lighting Facts" label.

Electrical

Driver:

Constant Current, Class 2, 50/60 Hz, 2kV, 120 - 277VAC 120: 0.42A, 208V: 0.26A, 240V: 0.22A, 277V: 0.19A

Dimming Driver:

Driver includes dimming control wiring for 0-10V dimming systems. Requires separate 0-10V DC dimming circuit. Dims as low as 10%.

THD:

11.5% at 120V, 14.7% at 277V

Power Factor:

99% at 120V, 94.2% at 277V

Surge Protection:

+/- 1kV line to line (differential mode)/ +/- 2kV line to common mode ground (tested to secondary ground) on AC power port, +/- 0.5 kV for outdoor cables

LED Characteristics

LEDs:

Long-life, high-efficiency surface mounting LEDs

Lifespan:

60,000-hour LED lifespan based on IES LM-80 results and TM-21 calculations.

Color Uniformity:

RAB's range of CCT (Correlated Color Temperature) follows the guidelines of the American National Standard for Specifications for the Chromaticity of Solid State Lighting (SSL) Products, ANSI C78.377-2015.

Optical

NEMA Type:

7H x 6V Beam Spread.

Construction

IP Rating:

Ingress Protection rating of IP66 for dust and water

Maximum Ambient Temperature:

Suitable for use in 104° F (40°C) ambient temperatures

Cold Weather Starting:

Minimum starting temperature is -40° F (-40° C)

Housing:

Precision die-cast aluminum housing and mounting arm

Lens:

Frosted acrylic lens with built-in optics

Mounting:

Mounting arm with "O" ring seal, seal plug and stainless steel screw.

Gaskets:

High temperature silicone gaskets.

Green Technology:

Mercury and UV free. RoHS compliant components. Polyester powder coat finish formulated without the use of VOC or toxic heavy metals.

Finish:

Formulated for high-durability and long lasting color.

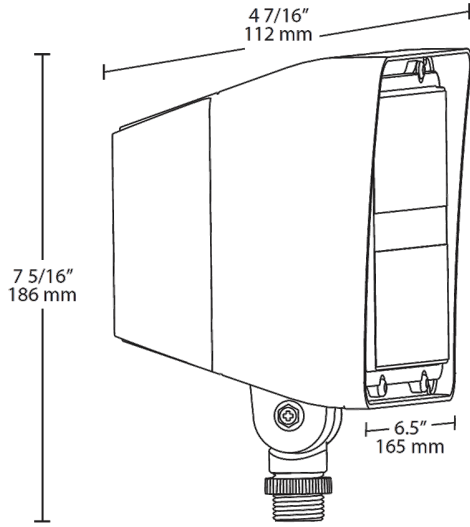
Other

5 Yr Limited Warranty:

RAB warrants fixture operation and paint finish for a period of 5 years.

PIP45W/D10

Dimensions



Features

- 0-10V Dimming, standard
- Replaces 150W MH
- 60,000-Hour LED lifespan
- 5-Year limited warranty

Ordering Matrix

Family	Watts	Color Temp	Finish	Dimming	Photocell
PIP	45		W	/D10	
	45 = 45W	Blank = 5000K (Cool) N = 4000K (Neutral) Y = 3000K (Warm)	Blank = Bronze W = White	/D10 = Dimmable	Blank = No Photocell /PCU = 120-277V Button Photocell