



Industry-leading efficacy, incredible value. The low-cost floodlight family just upped its game. PIPXL™ - up to 16,600 lumens and 100W of affordable LED light.

Color: Bronze

Weight: 20.6 lbs

<b>Project:</b>	<b>Type:</b>
<b>Prepared By:</b>	<b>Date:</b>

Driver Info		LED Info	
Type:	Constant Current	Watts:	70W
120V:	0.63A	Color Temp:	3000K
208V:	0.39A	Color Accuracy:	73 CRI
240V:	0.34A	L70 Lifespan:	60000
277V:	0.29A	Lumens:	10777
Input Watts:	74W	Efficacy:	144 LPW
Efficiency:	93%		

## Technical Specifications

### Listings

#### UL Listing:

Suitable for wet locations. Suitable for ground mounting.

#### IESNA LM-79 & LM-80 Testing:

RAB LED luminaires have been tested by an independent laboratory in accordance with IESNA LM-79 and LM-80, and have received the Department of Energy "Lighting Facts" label.

#### DLC Listed:

This product is listed by Design Lights Consortium (DLC) as an ultra-efficient premium product that qualifies for the highest tier of rebates from DLC Member Utilities.

DLC Product Code: PDGH2UK8

### Electrical

#### Driver:

Constant Current, Class 2, 120-277V, 50/60Hz, 120V: 2.17A, 208V: 1.29A, 240V: 1.12A, 277V 0.93A

#### Dimming Driver:

Driver includes dimming control wiring for 0-10V dimming systems. Requires separate 0-10V DC dimming circuit. Dims as low as 10%.

#### Surge Protection:

4kV

#### THD:

7.2% at 120V, 8.6% at 277V

### LED Characteristics

#### LEDs:

Long-life, high-efficiency surface mounting LEDs

#### Lifespan:

60,000-hour LED lifespan based on IES LM-80 results and TM-21 calculations.

#### Color Uniformity:

RAB's range of CCT (Correlated Color Temperature) follows the guidelines of the American National Standard for Specifications for the Chromaticity of Solid State Lighting (SSL) Products, ANSI C78.377-2015.

#### Replacement:

Replaces up to 250W Metal Halide.

### Optical

#### NEMA Type:

7H x 6V Beam Spread.

### Construction

#### IP Rating:

Ingress Protection rating of IP66 for dust and water

#### Thermal Management:

Superior thermal management with external "Air-Flow" fins.

#### Maximum Ambient Temperature:

Suitable for use in 104° F (40°C) ambient temperatures

#### Cold Weather Starting:

The minimum starting temperature is -22° F (-30° C).

#### Housing:

Precision die-cast aluminum housing.

#### Lens:

Two (2) clear acrylic lens with integrated optics

#### Mounting:

Heavy-duty Slip Fitter for 2 3/8"OD pipe.

#### Effective Projected Area:

EPA = 1.4

#### Gaskets:

High temperature silicone gaskets.

#### Green Technology:

Mercury and UV free. RoHS compliant components. Polyester powder coat finish formulated without the use of VOC or toxic heavy metals.

#### Finish:

Formulated for high-durability and long lasting color.

### Other

#### Photocell:

120-277V Button Photocell Included. Photocell is compatible with 120V-277V.

#### 5 Yr Limited Warranty:

RAB warrants fixture operation and paint finish for a period of 5 years.

#### Country of Origin:

Designed by RAB in New Jersey and assembled in the USA by RAB's IBEW Local 3 workers.

## Technical Specifications (continued)

### Other

#### Buy American Act Compliant:

This product is a COTS item manufactured in the United States, and is compliant with the Buy American Act.

#### Recovery Act (ARRA) Compliant:

This product complies with the 52.225-21 "Required Use of American Iron, Steel, and Manufactured Goods-- Buy American Act-- Construction Materials (October 2010).

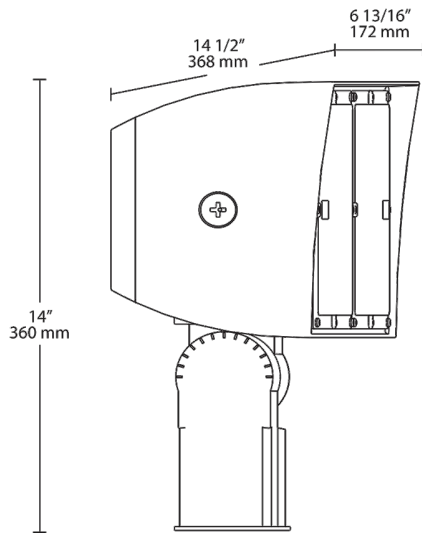
#### Trade Agreements Act Compliant:

This product is a COTS item manufactured in the United States, and is compliant with the Trade Agreements Act.

#### GSA Schedule:

Suitable in accordance with FAR Subpart 25.4.

## Dimensions



## Features

- Ultra-high efficiency
- DLC Premium
- 0-10V Dimming, standard
- 60,000-Hour LED lifespan
- 5-Year limited warranty

## Ordering Matrix

Family	Watts	Mount	Color Temp	Finish	Driver	Options
PIPXL	70	SF	Y		/D10	/PCU
	100 = 100W 70 = 70W	SF = Slipfitter T = Trunnion	Blank = 5000K (Cool) N = 4000K (Neutral) Y = 3000K (Warm)	Blank = Bronze W = White	/D10 = Dimmable 120-277V /480/D10 = Dimmable 480V	Blank = No Options /PCU = 120-277V Button Photocell /PCT = 120-277V Twistlock photocell /PCT4 = 480V Twistlock photocell /7PR = 7-Pin Receptacle /BL = Bi-Level /LC = Lightcloud