

Project:

Type:

Prepared By:

Date:



UPC: 019813916453



Features and Benefits

- Field Adjustable 3 CCTs in 1 SKU (3000K, 3500K, 4000K)
- Replacements for CFL 13W, 18W, and 26W G24q Lamps
- Ballast Compatible. Directly Compatible with Most Existing CFL Ballasts.
- Compatible with G24q / GX24q (4-pin CFL) installations
- Instant-on with no warmup, unlike CFLs
- Lasts 5x longer than compact fluorescent lamps
- Consumes up to 1/3 the energy of conventional CFL
- Base rotates, direct light where needed on Horizontal models
- 50,000 hour Lifespan
- Environmentally friendly, no mercury used
- UL Listed, DLC Listed
- Rated for use in enclosed and open fixtures in dry or damp locations
- Dimmable
- 5 Year No Compromise Warranty

Technical Specifications

Performance

Product Type:

Compact

Input Wattage:

9.5W

Lumens (Nominal):

1100/1120/1150

Efficacy:

115/117/121 lm/W

Color Accuracy:

80

Color Temperature:

3000K | 3500K | 4000K

Dimmable:

Yes

L70 Lifespan:

50,000-Hour LED lifespan based on IES LM-80 results and TM-21 calculations

Construction

Bulb Shape:

PLC-V

Enclosure Material:

Polycarbonate

Housing Finish:

White

Lens Finish:

Frosted

Base Type:

4-Pin G24q

Beam Angle:

120°

Electrical

THD:

20%

Power Factor:

>0.9

Input Voltage:

120-277V

Technical Specifications (continued)

Electrical

Operating Frequency:

50 / 60 Hz

Operating Temperature:

-20°C - 45°C

Installation

Installation Method:

UL TYPE A, Plug and Play

Burning Position:

Vertical

Other

Equivalency:

18W/26W/32W G24q

Technology EQ:

CFL

Warranty (Years):

RAB warrants that our LED products will be free from defects in materials and workmanship for a period of five (5) years from the date of delivery to the end user, including coverage of light output, color stability, driver performance and fixture finish. RAB's warranty is subject to all terms and conditions found at rablighting.com/warranty.

Compliance

Safety Listing:

UL Listed

Environment/Fixture Rating:

Damp / Open

RoHS:

Mercury and UV free. RoHS-compliant components.

FCC:

Complies with Part 15 of the FCC Rules

Model Number:

T10199(PLC-9.5-V-8FA-DIR)

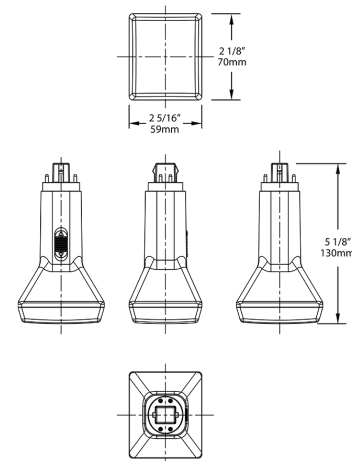
Minimum Compartment Size

Length x Width x Height [in]	Lamp Quantity
8.9 x 10.3 x 5.7	1

Case and Pallet Dimensions

	QTY	LENGTH (in)	WIDTH (in)	HEIGHT (in)
CASE	12	0	0	0
PALLET	281	0	0	0

Dimension



Light Distribution

