

# PLED2X10YMS2/BL



High performance pendant LED downlight with mini sensor. Bi-level option available. Pendant mount with hang-straight and 6", 12" and 18" stems included. Stems can be combined up to 36" max length.

Color: Bronze

Weight: 7.1 lbs

**Project:**

**Type:**

**Prepared By:**

**Date:**

## Driver Info

Type:	Constant Current
120V:	0.2A
208V:	N/A
240V:	N/A
277V:	N/A
Input Watts:	26W
Efficiency:	78%

## LED Info

Watts:	20W
Color Temp:	3000K
Color Accuracy:	85 CRI
L70 Lifespan:	100000
Lumens:	1,896
Efficacy:	74 LPW

## Technical Specifications

### Other

#### Bi-Level(BL) Operation:

Bi-Level option supplies a fixture with the sensor(s) wired to control only one fixture leaving the other fixture always on or available for timer or photo sensor control by customer. Two sets of labeled leads will be provided.

#### Patents:

RAB PLED2X10 are protected by patents in US pat. D615,689 CN ZL201030129125 MX 32130 TW pat. D139033.

#### Warranty:

RAB warrants that our LED products will be free from defects in materials and workmanship for a period of five (5) years from the date of delivery to the end user, including coverage of light output, color stability, driver performance and fixture finish.

#### California Title 24:

PLED complies with California Title 24 building and electrical codes.

#### Equivalency:

The PLED2X10 is Equivalent in delivered lumens to a 32W CFL Pendant.

#### HID Replacement Range:

The PLED2X10 can be used to replace 32-42W CFL, or up to 70W Metal Halide Pendants based on delivered lumens.

#### Country of Origin:

Designed by RAB in New Jersey and assembled in the USA by RAB's IBEW Local 3 workers.

#### Buy American Act Compliant:

This product is a COTS item manufactured in the United States, and is compliant with the Buy American Act.

#### Recovery Act (ARRA) Compliant:

This product complies with the 52.225-21 "Required Use of American Iron, Steel, and Manufactured Goods-- Buy American Act-- Construction Materials (October 2010).

#### Trade Agreements Act Compliant:

This product is a COTS item manufactured in the United States, and is compliant with the Trade Agreements Act.

#### GSA Schedule:

Suitable in accordance with FAR Subpart 25.4.

#### Listings

#### UL Listing:

Suitable for damp locations.

#### IESNA LM-79 & IESNA LM-80 Testing:

RAB LED luminaires have been tested by an independent laboratory in accordance with IESNA LM-79 and LM-80, and have received the Department of Energy "Lighting Facts" label.

#### LED Characteristics

#### Lifespan:

100,000-hour LED lifespan based on IES LM-80 results and TM-21 calculations.

#### LEDs:

(2) 10W Multi-chip high-output, long-life LED.

#### Color Consistency:

3-step MacAdam Ellipse binning to achieve consistent fixture-to-fixture color.

#### Color Stability:

LED color temperature is warranted to shift no more than 200K in CCT over a 5 year period.

#### Color Uniformity:

RAB's range of CCT (Correlated color temperature) follows the guidelines of the American National Standard for Specifications for the Chromaticity of Solid State Lighting (SSL) Products, ANSI C78.377-2011.

#### Color Accuracy:

74 CRI

#### Color Temperature (Nominal CCT):

3000K

#### Construction

#### Recommended Mounting Height:

8-10'.

#### Mounting:

3 mounting stems included. 6", 12" and 18" can be combined to achieve a maximum length of 36". 42" of wire supplied. The pendants thread into a hang-straight, leveling the fixture. Pendant outside diameter is 3/4". Threads are 1/4". Circular canopy included.

#### Thermal Management:

Cast aluminum Thermal Management system for optimal heat sinking. Designed for cool operation, most efficient output and maximum LED life by minimizing LED junction temperature.

#### Housing:

Precision die cast aluminum housing and lens framing.

#### Finish:

Our environmentally friendly polyester powder coatings are formulated for high-durability and long-lasting color, and contains no VOC or toxic heavy metals.

#### Green Technology:

Mercury and UV free. RoHS compliant components. Polyester powder coat finish formulated without the use of VOC or toxic heavy metals.

## Technical Specifications (continued)

### Electrical

#### Drivers (2):

Multi-chip 2x10W high output long life LED Driver Constant Current, Class II, 120V-240V, 50/60 Hz, 400mA.

#### Voltage:

120 volts AC 60 Hz.

### Sensor Characteristics

#### Sensor Switching Capacity:

5 Amps, 450 Watts LED @ 120 Volts 0.8pF Driver; 5 Amps, 300 Watts LED @ 120 Volts 0.5pF Driver.

#### Sensor Time Adjustment:

5 seconds to 15 minutes.

#### Sensor Quick Test Time:

5 second test time for fast installation. Works day or night.

#### Sensor "No Hands" Auto Testing:

Auto mode starts after 4 minutes of testing. No adjustment needed.

#### Sensor Photoelectric Control:

Deactivates lights during daylight. Fully adjustable for 24 hour operation or custom applications.

#### Sensor LED Detection Indicator:

LED glows red day & night for "on guard" deterrence.

#### Sensor RF Immunity:

Circuits fully shielded for maximum radio frequency immunity.

#### Sensor Ratings:

5 amps.

#### Sensor Power Consumption:

Negligible

#### Sensor Manual Switch:

None.

#### Sensor Ambient Light Sensing:

Adjustable.

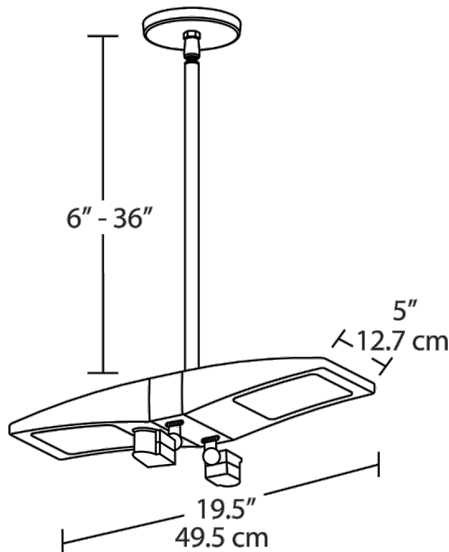
#### Sensor Adjustments:

Time, ambient light & sensitivity.

#### Sensor Detection:

360° detection pattern.

## Dimensions



## Features

Reduce energy usage with motion sensor technology you can rely on

LED combined with mini sensor for an all-in-one lighting solution

Great for small spaces like utility closets and storage rooms

5 year warranty