

Project: \_\_\_\_\_ Type: \_\_\_\_\_ Prepared By: \_\_\_\_\_ Date: \_\_\_\_\_



**Features and Benefits**

- Replaces for 40W twin tube CFL 2G11 Lamps
- Ballast Compatible. Directly Compatible with Most Existing Electronic CFL Ballasts.
- Compatible with 2G11 (4-pin CFL) installations
- 50,000 hour Lifespan
- Environmentally friendly, no mercury used
- UL Listed, DLC Listed
- Rated for use in enclosed and open fixtures in dry or damp locations
- 5 Year No Compromise Warranty
- Compatible with RAB specified 0-10V dimming system

<b>Technical Specifications</b>		
<p><b>Performance</b></p> <hr/> <p><b>Product Type:</b> Compact</p> <p><b>Input Wattage:</b> 13.5W</p> <p><b>Lumens (Nominal):</b> 2050</p> <p><b>Efficacy:</b> 152 lm/W</p> <p><b>Color Accuracy:</b> 80</p> <p><b>Color Temperature:</b> 3500K</p>	<p><b>Dimmable:</b> Yes</p> <p><b>L70 Lifespan:</b> 50,000-Hour LED lifespan based on IES LM-80 results and TM-21 calculations</p> <p><b>Construction</b></p> <hr/> <p><b>Bulb Shape:</b> PLL</p> <p><b>Enclosure Material:</b> Polycarbonate Endcap with Glass</p> <p><b>Housing Finish:</b> White</p> <p><b>Lens Finish:</b> Frosted</p>	<p><b>Beam Angle:</b> 140°</p> <p><b>Electrical</b></p> <hr/> <p><b>THD:</b> 20%</p> <p><b>Power Factor:</b> &gt;0.9</p> <p><b>Input Voltage:</b> 120-277V AC</p> <p><b>Operating Frequency:</b> 50/60 Hz</p>

**Technical Specifications (continued)**

**Electrical**

**Operating Temperature:**

-20°C - 45°C

**Installation**

**Installation Method:**

UL TYPE A, Plug and Play

**Burning Position:**

Horizontal

**Other**

**Equivalency:**

FT40/2G11

**Technology EQ:**

CFL

**Warranty (Years):**

RAB warrants that our LED products will be free from defects in materials and workmanship for a period of five (5) years from the date of delivery to the end user, including coverage of light output, color stability, driver performance and fixture finish. RAB's warranty is subject to all terms and conditions found at [rablighting.com/warranty](http://rablighting.com/warranty).

**Compliance**

**Safety Listing:**

UL Listed

**Environment/Fixture Rating:**

Damp / Enclosed

**RoHS:**

Mercury and UV free. RoHS-compliant components.

**FCC:**

Complies with Part 15 of the FCC Rules

**Model Number:**

T10227(PLL-13.5-835-DIR)

**DLC Listed:**

This product is on the Design Lights Consortium (DLC) Qualified Products List and is eligible for rebates from DLC Member Utilities. Designed to meet DLC 5.1 requirements.  
DLC Product Code: PLXZ3JTXPKC9

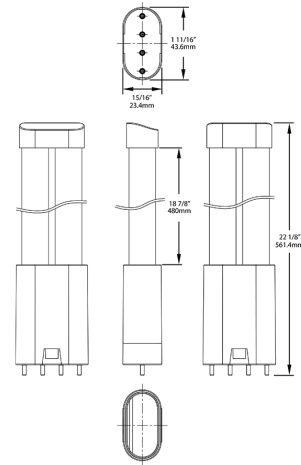
**Minimum Compartment Size**

Length x Width x Height [in]	Lamp Quantity
22.9 x 4.1 x 6.1	1

**Case and Pallet Dimensions**

	QTY	LENGTH (in)	WIDTH (in)	HEIGHT (in)
CASE	12	0	0	0
PALLET	256	0	0	0

**Dimension**



Light Distribution

