



Omnidirectional HID lamp replacements from 70W up to 150W. Universal voltage and compact design allows for installation across many applications.

Color: White

Weight: 1.1 lbs

Project:

Type:

Prepared By:

Date:

Driver Info

LED Info

Watts	31.50W	Input Voltage	120-277V
Color Temp	5000K (Daylight)	Power Factor	>0.9
Lumens	4,100	Flicker	N/A
Efficacy	130.2 LPW	THDi	N/A
Color Accuracy	80 CRI	R9	
L70 Accuracy	50,000		

Technical Specifications

Technical Specifications

Product Type:

HID

Bulb Shape:

PS25

Wattage:

31.5W

Wattage Equivalency:

150W HID

Typical Lumen Output:

4100

Efficacy:

128 lm/W

Color Temperature:

5000K Daylight

CRI:

80

Base Type:

EX39

L70 Lifespan:

50,000 hours

Operating Temperature:

-20°C - 45°C

Dimmable:

No

Beam Angle:

230°

Warranty:

5-Year, No-Compromise Warranty

Installation Orientation:

Universal Installation

For Use in Emergency Fixtures:

No

For Use Outdoors in Open Fixtures:

No

Electrical Characteristics

Input Voltage:

120-277V

Power Factor:

>0.9

Technical Specifications (continued)

Electrical Characteristics

Operating Frequency:

60 Hz

Input Current @ 120V:

330mA

Input Current @ 277V:

143mA

THDi:

≤25%

Listings

UL Listed:

Yes

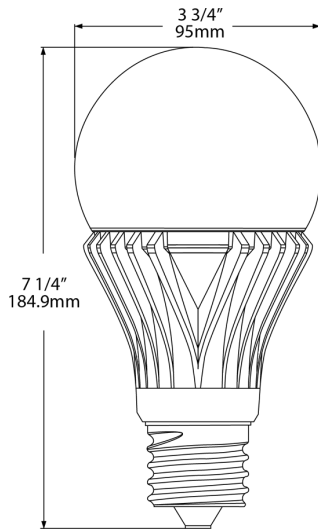
UL Classified:

Yes

CEC Status:

Lawful for sale in California

Dimensions



Features

OMNIDIRECTIONAL HID lamp replacement from 70W up to 150W

UNIVERSAL voltage and compact design allows for installation across many applications.

INSTALLATION ORIENTATION - Lamps can be installed base up, down, or horizontal

DAMP RATED - Suitable for use outdoors

BALLAST BYPASS- Reduces maintenance costs

ENCLOSED FIXTURE RATED - May be used in enclosed and open fixtures