



Color: Bronze

Weight: 0.1 lbs

Project:

Type:

Prepared By:

Date:

Technical Specifications

Performance

Description:

4-inch magnetic bronze color trim for PUCKFA-4R

Product Type:

Recessed Downlights

Construction

Material:

Metal

Trim Style:

Smooth Trim

Shape:

Round

Size:

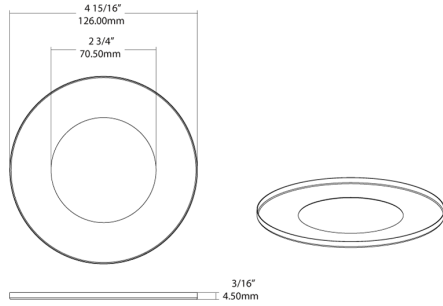
4"

Other

Buy American Act Compliance:

RAB values USA manufacturing! Upon request, RAB may be able to manufacture this product to be compliant with the Buy American Act (BAA). Please contact customer service to request a quote for the product to be made BAA compliant.

Dimensions



Features

- Slim wafer design - fits in 4" can or 4" J-Box
- Suitable for dry, damp, and wet environments
- Steel trim with magnetic design for quick trim replacement
- Trim color options available in Brushed Nickel, Black, and Bronze
- Includes E26 cap as an accessory to meet T24 & T20 requirements
- Field adjustable color temperature options from 2700/3000/3500/4000/5000K
- High performance >90CRI to provide accurate color rendering

Ordering Matrix

Family	Size	Shape	Wattage	CRI/Color Temp
PUCKFA	TRIM	4R	BR	S
4 = 4" R = Round 7.5 = 7.5W 9CCT = 90 CRI, 5000/4000/3500/3000/2700K				