



<b>Project:</b>	<b>Type:</b>
<b>Prepared By:</b>	<b>Date:</b>

## Technical Specifications

### Listings

#### UL Listing:

Suitable for damp locations

### Construction

#### Reflector:

Clear Prismatic Acrylic Reflector 11" high

#### Reflector Component:

This component must be ordered with HAYBAY fixture to make a complete fixture.

#### Cold Weather Starting:

Minimum starting temperature is -40° F (-40° C)

#### Ambient Temperature:

Suitable for use 12 hours a day, 5 days a week in ambient temperatures up to 50° C and for 24/7 use in ambient temperatures up to 40° C.

#### Finish:

Our environmentally friendly polyester powder coatings are formulated for high durability and long-lasting color, and contain no VOC or toxic heavy metals.

#### Green Technology:

Mercury and UV free. RoHS compliant components.

#### Other

#### Warranty:

RAB warrants that our LED products will be free from defects in materials and workmanship for a period of five (5) years from the date of delivery to the end user, including coverage of light output, color stability, driver performance and fixture finish.

#### Buy American Act Compliant:

This product is a COTS item manufactured in the United States, and is compliant with the Buy American Act.

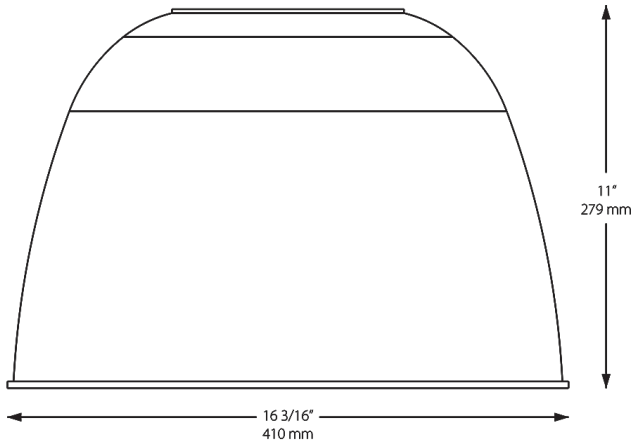
#### Recovery Act (ARRA) Compliant:

This product complies with the 52.225-21 "Required Use of American Iron, Steel, and Manufactured Goods-- Buy American Act-- Construction Materials (October 2010).

#### GSA Schedule:

Suitable in accordance with FAR Subpart 25.4.

## Dimensions



## Features

- Reflectors tailor the Haybay to specific applications:
- Downlight only, uplight + downlight, and high or low mounting heights.
- 5-Year warranty

## Ordering Matrix

Family	Reflector
R16	AR

**AR** = 11" Clear Prismatic Acrylic  
**PF** = 11" Frosted Prismatic Acrylic  
**SP** = 8.5" Short Clear Prismatic Acrylic  
**SPF** = 8.5" Short Frosted Prismatic Acrylic  
**SA** = 5" Short White Aluminum