

Aluminum Pole Slipfitters for mounting fixtures or boxes to top of poles or posts. 1/2" top tap standard. 3/4" top tap on R5-3/4 and R7-3/4 only. Set screws provided.

Color: Natural

Weight: 0.4 lbs

<b>Project:</b>	<b>Type:</b>
<b>Prepared By:</b>	<b>Date:</b>

**Technical Specifications**

**Listings**

**UL Listing:**

Suitable for wet locations.

**Other**

**Outlet Box Construction:**

Precision die cast aluminum.

**Country of Origin:**

Designed by RAB in New Jersey and assembled in Taiwan.

**Trade Agreements Act Compliant:**

This product is a product of Taiwan and a "designated country" end product that complies with the Trade Agreements Act.

**GSA Schedule:**

Suitable in accordance with FAR Subpart 25.4.

**Construction**

**Outlet Box Mounting Lugs:**

16 gauge corrosion protected steel with Phillips Flat head mounting screws.

**Ground Screw:**

#10-24 Green corrosion protected steel slotted hex washer head screw provided in pre-tapped hole.

**Fits Pipe:**

2".

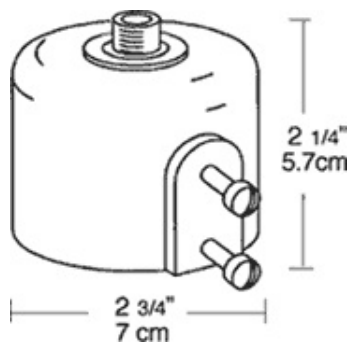
**Pipe O.D.:**

2 3/8.

**Material:**

Aluminum.

**Dimensions**



**Features**

Heavy die cast aluminum

Set screws provided