



LED High Bay fixture ideal for large indoor spaces, including warehouses, gymnasiums and distribution centers that require mounting heights from 15 to 50 feet. An integrated motion/photo sensor option provides multi-level lighting control. Available in 95, 150, 185 and 225 Watt versions with equivalencies from 200 to 400 Watt metal halide fixtures.

Color: White

Weight: 18.4 lbs

Project:

Type:

Prepared By:

Date:

Driver Info

Type: Constant Current
 120V: 1.30A
 208V: 0.75A
 240V: 0.65A
 277V: 0.56A
 Input Watts: 153W
 Efficiency: 98%

LED Info

Watts: 150W
 Color Temp: 5000K
 Color Accuracy: 75 CRI
 L70 Lifespan: 100000
 Lumens: 18,144
 Efficacy: 119 LPW

Technical Specifications

Listings

UL Listing:

Suitable for damp locations

IESNA LM-79 & LM-80 Testing:

RAB LED luminaires have been tested by an independent laboratory in accordance with IESNA LM-79 and LM-80, and have received the Department of Energy "Lighting Facts" label.

DLC Listed:

This product is on the Design Lights Consortium (DLC) Qualified Products List and is eligible for rebates from DLC Member Utilities.

LED Characteristics

Lifespan:

100,000-hour LED lifespan based on IES LM-80 results and TM-21 calculations.

LEDs:

Long-life, high-efficiency surface mount LEDs

Color Stability:

LED Color temperature is warrantied to shift no more than 200K in CCT over a 5 year period.

Color Uniformity:

RAB's range of CCT (Correlated Color Temperature) follows the guidelines of the American National Standard for Specifications for the Chromaticity of Solid State Lighting (SSL) Products, ANSI C78.377-2011.

Electrical

Drivers:

Two Drivers, Class 2, Constant Current, 100-277VAC, 50-60Hz, 4kV, 0.9A

THD:

5.2% at 120V, 10.6% at 277V

Power Factor:

99.6% at 120V, 94.1% at 277V

Dimming Driver:

Driver includes dimming control for 0-10V dimming systems. Requires separate 0-10V DC dimming circuit. Dims as low as 10%.

Construction

Ambient Temperature:

Suitable for use 12 hours a day, 5 days a week in 50°C. Suitable for 24/7 use in ambient temperatures up to 30°C. For questions related to fixture operation in high ambient temperatures, contact RAB tech support at 888-722-1000.

Housing:

Extruded aluminum

Lens:

High-transmittance polystyrene

Reflector:

Specular, high-reflectance aluminum with 95% reflectivity

Mounting:

V hooks (chain by others)

Gaskets:

High temperature silicone gaskets.

Finish:

Our environmentally friendly polyester powder coatings are formulated for high-durability and long-lasting color, and contains no VOC or toxic heavy metals.

Green Technology:

Mercury and UV free. RoHS compliant components. Polyester powder coat finish formulated without the use of VOC or toxic heavy metals.

Recommended Mounting Height:

Up to 30 ft.

Other

Equivalency:

RAIL High Bay 150W LED is equivalent to 400W metal halide fixture at 35' mounting height, typical storage warehouse environment.

Warranty:

RAB warrants that our LED products will be free from defects in materials and workmanship for a period of five (5) years from the date of delivery to the end user, including coverage of light output, color stability, driver performance and fixture finish.

Country of Origin:

Designed by RAB in New Jersey and assembled in the USA by RAB's IBEW Local 3 workers.

Buy American Act Compliant:

This product is a COTS item manufactured in the United States, and is compliant with the Buy American Act.

Recovery Act (ARRA) Compliant:

This product complies with the 52.225-21 "Required Use of American Iron, Steel, and Manufactured Goods-- Buy American Act-- Construction Materials (October 2010).

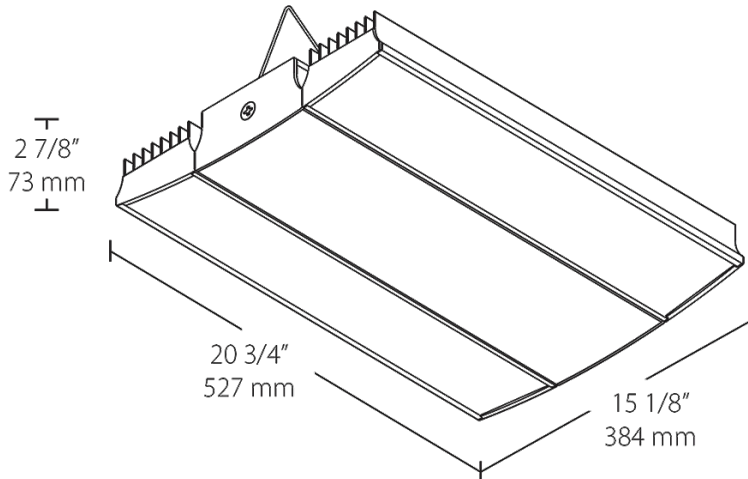
Trade Agreements Act Compliant:

This product is a COTS item manufactured in the United States, and is compliant with the Trade Agreements Act.

Technical Specifications (continued)

<p>Other</p> <hr/> <p>GSA Schedule: Suitable in accordance with FAR Subpart 25.4.</p> <p>California Title 24: RAIL models with integrated multi-level motion sensor (/WS2 or /WS4) comply with 2013 California Title 24 building and electrical codes as commercial indoor fixtures for corridors, stairwells, warehouses and covered parking garages.</p> <p>Sensor Specifications</p> <hr/> <p>Operating Voltage: 120V or 277V</p> <p>Power Consumption: 1W</p> <p>0-10V Sinking Current: 50mA</p> <p>Adjustable High and Low Modes: High: 0-10V; Low: off, 0-9.8V</p>	<p>Adjustable Time Delay: Amount of time in high mode with no motion before switching to low mode: 5 min., 1 -30 min.</p> <p>Adjustable Cut Off Delay: Time in which the fixture will remain on low mode with no motion before turning off and waiting for new motion to turn on: None, 1 -60 min., 1 -5 hrs.</p> <p>Adjustable Sensitivity: None, low, medium, maximum</p> <p>Adjustable Setpoint: None, 1 to 250 fc, auto</p> <p>Adjustable Ramp Up and Fade Down Times: 1 to 60 sec.</p> <p>Operating Temperature: -40°F/-40°C. to 167°F (-40°C to +75°C)</p>	<p>Operating Humidity: 20% to 90% noncondensing</p> <p>Relay Life Rating: 200,000 cycles (120/277VAC), 50,000 cycles (230VAC)</p> <p>IP Rating: Ingress Protection rating of IP66 for dust and water.</p> <p>UL Listing: Suitable for Wet Locations as factory installed.</p> <p>Handheld Wireless Configuration Tool: Adjust settings using handheld wireless configuration tool. Only available with 0-10V dimming driver options.</p> <p>Multi Level Motion Sensor: 40 ft. diameter coverage from 20 ft. height.</p>
--	--	---

Dimensions



Features

- Ideal for large spaces
- Ultra-high efficacy
- Up to 60% less energy usage than equivalent metal halide fixtures
- 100,000 hour lifespan, virtually maintenance free operation
- Integrated motion/photo sensor for multilevel lighting control

Ordering Matrix

Family	Mount	Watts	Color Temp	Finish	Voltage	Dimming	Sensor
RAIL							
	Blank = V Hooks P = Pendant or Surface	95 = 95W 150 = 150W 185 = 185W 225 = 225W	Blank = 5000K (Cool) YN = 3500K (Warm Neutral) N = 4000K (Neutral)	W = White	Blank = 120-277V /480 = 480V	Blank = No Dimming /D10 = Dimmable	/WS2 = Multi-Level Motion Sensor (Only available for 120-277V with /D10 for 95W & 150W) /WS4 = Multi-Level Motion Sensor (Only available for 120-277V with /D10 for 185W & 225W)