



LED High Bay fixture ideal for large indoor spaces, including warehouses, gymnasiums and distribution centers that require mounting heights from 40 feet.

Color: White

Weight: 33.0 lbs

|                     |              |
|---------------------|--------------|
| <b>Project:</b>     | <b>Type:</b> |
| <b>Prepared By:</b> | <b>Date:</b> |

| Driver Info  |                  | LED Info        |         |
|--------------|------------------|-----------------|---------|
| Type:        | Constant Current | Watts:          | 225W    |
| 120V:        | 1.68A            | Color Temp:     | 5000K   |
| 208V:        | 1.02A            | Color Accuracy: | 76 CRI  |
| 240V:        | 0.88A            | L70 Lifespan:   | 100000  |
| 277V:        | 0.74A            | Lumens:         | 27156   |
| Input Watts: | 200W             | Efficacy:       | 136 LPW |
| Efficiency:  | N/A              |                 |         |

## Technical Specifications

### Listings

#### UL Listing:

Suitable for damp locations

#### IESNA LM-79 & LM-80 Testing:

RAB LED luminaires have been tested by an independent laboratory in accordance with IESNA LM-79 and LM-80, and have received the Department of Energy "Lighting Facts" label.

### LED Characteristics

#### Lifespan:

100,000-hour LED lifespan based on IES LM-80 results and TM-21 calculations.

#### LEDs:

Long-life, high-efficiency surface mounting LEDs

#### Color Stability:

LED Color temperature is warrantied to shift no more than 200K in CCT over a 5 year period.

#### Color Uniformity:

RAB's range of CCT (Correlated Color Temperature) follows the guidelines of the American National Standard for Specifications for the Chromaticity of Solid State Lighting (SSL) Products, ANSI C78.377-2015.

### Electrical

#### Driver:

Constant Current, Class 2, 120-277V, 50/60Hz, 120V: 1.68A, 208V: 1.02A, 240V: 0.88A, 277V 0.74A

#### Dimming Driver:

Driver includes dimming control wiring for 0-10V dimming systems. Requires separate 0-10V DC dimming circuit. Dims as low as 10%.

#### THD:

2.7% at 120V, 6.8% at 277V

#### Power Factor:

99.9% at 120V, 95.3% at 277V

#### Emergency Battery Backup:

Emergency battery backup will operate the fixture for 90 minutes if power fails. Wired for 120-277V.

### Construction

#### Ambient Temperature:

Suitable for use 12 hours a day, 6 days a week in 55°C (131°F). Suitable for 24/7 use in ambient temperatures up to 40°C (104°F).

#### Housing:

Extruded aluminum

#### Lens:

High-transmittance polystyrene

#### Reflector:

Specular, high-reflectance aluminum with 95% reflectivity

#### Mounting:

V hooks (chain by others)

#### Finish:

Formulated for high-durability and long lasting color.

#### Green Technology:

Mercury and UV free. RoHS compliant components. Polyester powder coat finish formulated without the use of VOC or toxic heavy metals.

#### Recommended Mounting Height:

Up to 50 ft.

### Other

#### Replacement:

Replaces 350-400W MH

#### Warranty:

RAB warrants that our LED products will be free from defects in materials and workmanship for a period of five (5) years from the date of delivery to the end user, including coverage of light output, color stability, driver performance and fixture finish.

#### California Title 24:

See RAIL with Multi-Level sensor (/WS2 or /WS4) for a compliant California Title 24.

#### Buy American Act Compliance:

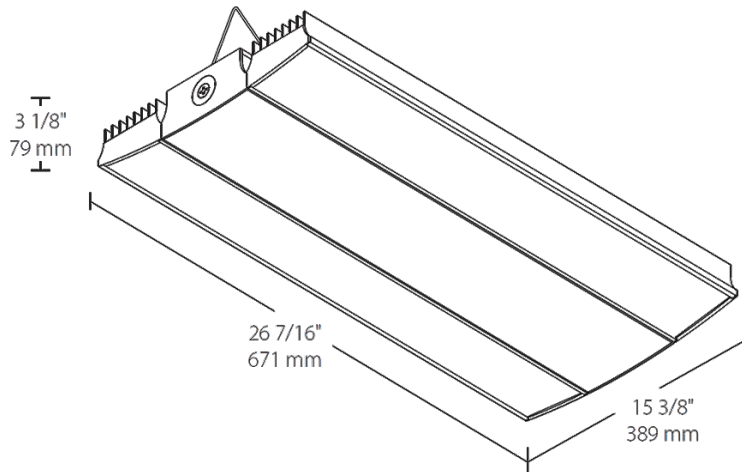
RAB values USA manufacturing! Upon request, RAB may be able to manufacture this product to be compliant with the Buy American Act (BAA). Please contact customer service to request a quote for the product to be made BAA compliant.

### Sensor Specifications

#### Handheld Wireless Configuration Tool:

Adjust settings using handheld wireless configuration tool. Only available with 0-10V dimming driver options.

## Dimensions



## Features

- Ideal for large spaces
- Ultra-high efficacy
- Up to 60% less energy usage than equivalent metal halide fixtures
- 100,000 hour lifespan, virtually maintenance free operation
- 0-10V driver for variable dimming down to 10%

## Ordering Matrix

| Family | Wattage  | Color Temp   | Finish    | Voltage                         | Dimming              | Control Options  |
|--------|--|--|-----------|---------------------------------|----------------------|--|
| RAIL   | 225  |  | W         |                                 | /D10                 | /E2  |
|        | 225 = 225W<br>185 = 185W<br>150 = 150W<br>95 = 95W | Blank = 5000K (Cool)<br>N = 4000K (Neutral)<br>YN = 3500K (Warm Neutral) | W = White | Blank = 120-277V<br>/480 = 480V | /D10 = 0-10V Dimming | Blank = No Controls<br>/BL = Bi-Level Control (120-277V only)<br>/WS2 = Multi-Level Motion Sensor 20 ft<br>/WS4 = Multi-Level Motion Sensor 40 ft<br>/LOS = LOSBAY800 Sensor (120-277V only)<br>/E2 = Emergency Battery Backup (120-277V only)<br>/LC = Lightcloud® Controller (120-277V only)<br>/LCS = Lightcloud® High Bay Sensor (120-277V only) |