



2" deep regress downlight delivers higher lumen output and reduces glare.

Color: Silver trim matte cone

Weight: 2.9 lbs

<b>Project:</b>	<b>Type:</b>
<b>Prepared By:</b>	<b>Date:</b>

Driver Info		LED Info	
Type:	Constant Current	Watts:	10W
120V:	0.11A	Color Temp:	3000K
208V:	0.07A	Color Accuracy:	81 CRI
240V:	0.06A	L70 Lifespan:	100000
277V:	0.05A	Lumens:	740
Input Watts:	12W	Efficacy:	61 LPW
Efficiency:	82%		

## Technical Specifications

### Listings

#### UL Listing:

Suitable for Wet Locations. Covered Ceiling Mount Only.

### Electrical

#### Driver:

Constant Current, Class 2, 120-277V, 50/60 Hz, 120V: 0.11A, 208V: 0.07A, 240V: 0.06A, 277V: 0.05A

#### Dimming Driver:

0 - 10V (at 120-277V), TRIAC and ELV (at 120V only).

#### THD:

15.8% at 120V, 27.3% at 277V

#### Power Factor:

98.5% at 120V, 90.2% at 277V

#### Surge Protection:

4kV

### Optical

#### Optics:

Wall Wash

### LED Characteristics

#### Lifespan:

100,000-hour LED lifespan based on IES LM-80 results and TM-21 calculations.

#### LEDs:

Long-life, high-efficiency, surface mount LEDs.

#### Color Stability:

LED color temperature is warranted to shift no more than 200K in CCT over a 5 year period.

### Construction

#### Cold Weather Starting:

Minimum starting temperature is -35°C (-31°F)

#### Maximum Ambient Temperature:

Suitable for use in 40°C (104°F) ambient temperatures

#### Housing:

Specification-grade, die-cast aluminum construction

#### Reflector:

Vacuum metalized polycarbonate

### Trim Cone:

Matte silver round trim cone.

### Lens:

Optical grade polycarbonate

### Green Technology:

Mercury and UV free. RoHS compliant components. Polyester powder coat finish formulated without the use of VOC or toxic heavy metals.

### Other

#### Trim Ring:

Silver powder coated die cast 1/2" trim ring.

#### Replacement:

Replaces 75W MR16

#### Warranty:

RAB warrants that our LED products will be free from defects in materials and workmanship for a period of five (5) years from the date of delivery to the end user, including coverage of light output, color stability, driver performance and fixture finish.

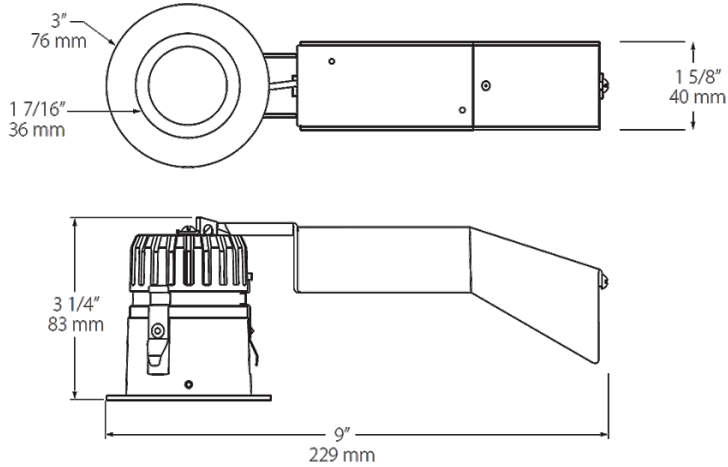
#### Buy American Act Compliance:

RAB values USA manufacturing! Upon request, RAB may be able to manufacture this product to be compliant with the Buy American Act (BAA). Please contact customer service to request a quote for the product to be made BAA compliant.

# RDDL2R-10D-WY-M-ST



## Dimensions



## Features

- 10W replaces 75W MR16
- Universal dimming (TRIAC, ELV and 0-10V) for optimal light control
- Deep regress design improves visual cutoff and reduces glare

## Ordering Matrix

Family	Size/Shape	Wattage	Driver	Optics	Color Temp	CRI	Trim Cone	Trim Ring	Trim Style
RDDL2R	2R	10	D	W	Y		M	S	T
	2R = 2" Round 2S = 2" Square	10 = 10W	D = Dim	20 = 20 30 = 30 40 = 40 W = Wall Wash	YY = 2700K (Residential Warm) Y = 3000K (Warm) YN = 3500K (Warm Neutral) N = 4000K (Neutral)	Blank = 80 CRI HC = 90 CRI	W = White B = Black S = Specular M = Matte	W = White B = Black S = Silver SA = Satin Nickel	T = 1/2" Trim TL = Trimless