



2" deep regress downlight delivers higher lumen output and reduces glare.
 Color: White trim matte cone Weight: 2.9 lbs

| | |
|---------------------|--------------|
| Project: | Type: |
| Prepared By: | Date: |

| Driver Info | | LED Info | |
|--------------|------------------|-----------------|--------|
| Type: | Constant Current | Watts: | 10W |
| 120V: | 0.11A | Color Temp: | 4000K |
| 208V: | 0.07A | Color Accuracy: | 93 CRI |
| 240V: | 0.06A | L70 Lifespan: | 100000 |
| 277V: | 0.05A | Lumens: | 851 |
| Input Watts: | 12W | Efficacy: | 72 LPW |
| Efficiency: | 84% | | |

Technical Specifications

Listings

UL Listing:

Suitable for Wet Locations. Covered Ceiling Mount Only.

ENERGY STAR® V2.0:

This product is ENERGY STAR® Version 2.0 Certified.

Electrical

Driver:

Constant Current, Class 2, 120-277V, 50/60 Hz, 120V: 0.11A, 208V: 0.07A, 240V: 0.06A, 277V: 0.05A

Dimming Driver:

0 - 10V (at 120-277V), TRIAC and ELV (at 120V only).

THD:

16.2% at 120V, 26.1% at 277V

Power Factor:

98.4% at 120V, 90.3% at 277V

Surge Protection:

4kV

Optical

Optics:

40° beam

LED Characteristics

Lifespan:

100,000-hour LED lifespan based on IES LM-80 results and TM-21 calculations.

LEDs:

Long-life, high-efficiency, surface mount LEDs.

Color Stability:

LED color temperature is warranted to shift no more than 200K in CCT over a 5 year period.

Construction

Cold Weather Starting:

Minimum starting temperature is -35°C (-31°F)

Maximum Ambient Temperature:

Suitable for use in 40°C (104°F) ambient temperatures

Housing:

Specification-grade, die-cast aluminum construction

Reflector:

Vacuum metalized polycarbonate

Trim Ring:

White powder coated die cast trimless ring.

Trim Cone:

Matte silver square trim cone.

Lens:

Optical grade polycarbonate

Green Technology:

Mercury and UV free. RoHS compliant components. Polyester powder coat finish formulated without the use of VOC or toxic heavy metals.

Other

Replacement:

Replaces 75W MR16

Warranty:

RAB warrants that our LED products will be free from defects in materials and workmanship for a period of five (5) years from the date of delivery to the end user, including coverage of light output, color stability, driver performance and fixture finish.

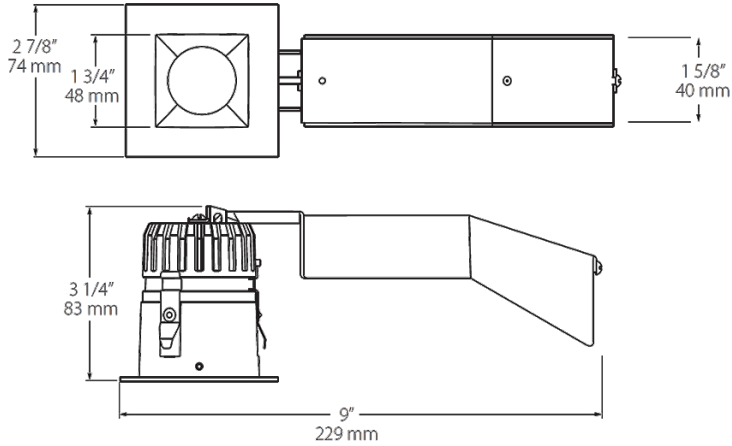
Buy American Act Compliance:

RAB values USA manufacturing! Upon request, RAB may be able to manufacture this product to be compliant with the Buy American Act (BAA). Please contact customer service to request a quote for the product to be made BAA compliant.

RDDLED2S-10D-40NHC-M-WTL



Dimensions



Features

- 10W replaces 75W MR16
- Universal dimming (TRIAC, ELV and 0-10V) for optimal light control
- Deep regress design improves visual cutoff and reduces glare

Ordering Matrix

| Family | Size/Shape | Wattage | Driver | Optics | Color Temp | CRI | Trim Cone | Trim Ring | Trim Style |
|--------|---------------------------------|----------|---------|--|---|-------------------------------|---|---|--------------------------------|
| RDDLED | 2S | 10 | D | 40 | N | HC | M | W | TL |
| | 2R = 2" Round 2S = 2" Square | 10 = 10W | D = Dim | 20 = 20 30 = 30 40 = 40 W = Wall Wash | YY = 2700K (Residential Warm) Y = 3000K (Warm) YN = 3500K (Warm Neutral) N = 4000K (Neutral) | Blank = 80 CRI HC = 90 CRI | W = White B = Black S = Specular M = Matte | W = White B = Black S = Silver SA = Satin Nickel | T = 1/2" Trim TL = Trimless |