



Color: Gray

Weight: 6.5 lbs

|                     |              |
|---------------------|--------------|
| <b>Project:</b>     | <b>Type:</b> |
| <b>Prepared By:</b> | <b>Date:</b> |

| Driver Info |                  | LED Info     |                   |
|-------------|------------------|--------------|-------------------|
| Type        | Constant Current | Watts        | 50W               |
| 120V        | 0.46A            | Color Temp   | 3500K/4000K/5000K |
| 208V        | 0.26A            | Color        | 80 CRI            |
| 240V        | 0.23A            | Accuracy     |                   |
| 277V        | 0.20A            | L70 Lifespan | 100,000 Hours     |
| Input Watts | 50/40/30W        | Lumens       | 4080-6800         |
|             |                  | Efficacy     | 130-142 lm/W      |

**Technical Specifications**

**Compliance**

**UL Listed:**

Suitable for wet locations

**UL 94:**

5VA flame classification

**FCC:**

Complies with Part 15 of the FCC Rules

**NSF:**

NSF Certified by Public Health and Safety

**NEMA Rating:**

4X, protected against corrosion

**IESNA LM-79 & LM-80 Testing:**

RAB LED luminaires and LED components have been tested by an independent laboratory in accordance with IESNA LM-79 and LM-80.

**DLC Listed:**

This product is listed by Design Lights Consortium (DLC) as an ultra-efficient premium product that qualifies for the highest tier of rebates from DLC Member Utilities. Designed to meet DLC 5.1 requirements.

DLC Product Code: S-5HVM30

**Electrical**

**Driver:**

Constant Current, Class 2, 120-277V, 50/60Hz, 120V: 0.46A, 208V: 0.26A, 240V: 0.23A, 277V 0.20A

**Dimming Driver:**

Driver includes dimming control wiring for 0-10V dimming systems. Requires separate 0-10V DC dimming circuit. Dims down to 10%.

**THD:**

3.53% at 120V, 4.35% at 277V

**Power Factor:**

99.9% at 120V, 96.98% at 277V

**Surge Protection:**

2.5kV

**Battery Backup:**

Battery backup will operate the fixture for 90 minutes if power fails. Wired for 120-277V.

**Battery Backup Light Loss Factor:**

0.207

**Technical Specifications (continued)**

**LED Characteristics**

**LEDs:**

Long-life, high-efficacy, surface-mount LEDs

**Color Uniformity:**

RAB's range of Correlated Color Temperature follows the guidelines of the American National Standard for Specifications for the Chromaticity of Solid State Lighting (SSL) Products, ANSI C78.377-2017.

**Performance**

**Lifespan:**

100,000-Hour LED lifespan based on IES LM-80 results and TM-21 calculations

**Construction**

**IP Rating:**

Ingress protection rating of IP66 for dust and water

**Housing:**

Impact-resistant polycarbonate\* with stainless steel door clips. 1/2" NPS opening for conduit and bushing/cord entry. \*Polycarbonate is affected by cleaning agents or other liquids containing partial solvents such as low molecular weight aldehydes and ethers, ketones, esters, aromatic hydrocarbons and perchlorinated hydrocarbons. [Click here for a detailed list of damaging chemicals.](#)

**Mounting:**

Quick-mount, stainless steel snap on brackets supplied for surface mounting. V-Hook brackets supplied standard for suspending the fixture.

**Lens:**

Diffuse polycarbonate lens for low glare and maximum protection

**Reflector:**

Cold-rolled steel

**Gaskets:**

High-temperature silicone gaskets

**Cold Weather Starting:**

The minimum starting temperature is -40°C (-40°F)

**Maximum Ambient Temperature:**

Suitable for use in up to 40°C (104°F)

**Installation:**

Tether Cables are provided for easy installation. Quick connector may be used for quick and easy wiring.

**Green Technology:**

Mercury and UV free. RoHS-compliant components.

**Finish:**

Formulated for high durability and long-lasting color

**Other**

**5 Yr Limited Warranty:**

The RAB 5-year, limited warranty covers light output, driver performance and paint finish. RAB's warranty is subject to all terms and conditions found at [rablighting.com/warranty](http://rablighting.com/warranty).

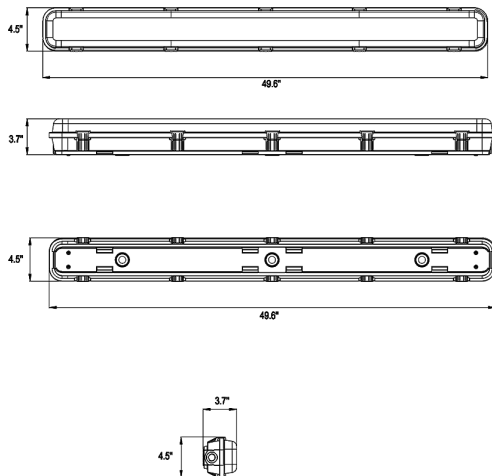
**Buy American Act Compliance:**

RAB values USA manufacturing! Upon request, RAB may be able to manufacture this product to be compliant with the Buy American Act (BAA). Please contact customer service to request a quote for the product to be made BAA compliant.

**Equivalency :**

Equivalent to (3) F32T8

**Dimensions**



**Features**

- 100,000-Hour LED lifespan
- DLC Premium Listed
- 0-10V dimming standard
- 5-Year, limited warranty

Ordering Matrix

| Family | Length/Wattage   | Color Temp   | Finish              | Voltage                                   | Options  |
|--------|--|--|---------------------|---|--|
| SEAL   | 4  |  |                     |   | /E   |
|        | 2 = 2 ft. 25/20/15W<br>4 = 4 ft. 50/40/30W<br>8 = 8 ft. 100/80/60W | <b>Blank</b> = Field Adjustable<br>5000K/4000K/3500K | <b>Blank</b> = Gray | <b>Blank</b> = 0-10V Dimming,<br>120-277V | <b>Blank</b> = No Option<br>/PIR = Passive Infrared Sensor<br>/MVS = Microwave Occupancy Sensor<br>/E = Battery Backup<br>/LCBS = Lightcloud Blue Passive Infrared<br>Sensor<br>/LCBS/MVS = Lightcloud Blue Microwave<br>Occupancy Sensor<br>/MVS/E = Microwave Occupancy Sensor w/<br>Battery Backup<br>/PIR/E = Passive Infrared Sensor w/ Battery<br>Backup<br>/LCBS/E = Lightcloud Blue Sensor w/ Battery<br>Backup<br>/LCBS/MVS/E = Lightcloud Blue Microwave<br>Occupancy Sensor w/ Battery Backup |