



<b>Project:</b>	<b>Type:</b>
<b>Prepared By:</b>	<b>Date:</b>

Driver Info		LED Info	
Type	Constant Current	Watts	50W
120V	0.46A	Color Temp	3500K/4000K/5000K
208V	0.26A	Color	80 CRI
240V	0.23A	Accuracy	
277V	0.20A	L70 Lifespan	100,000 Hours
Input Watts	50/40/30W	Lumens	4080-6800
		Efficacy	130-142 lm/W

### Technical Specifications

<p><b>Compliance</b></p> <p><b>UL Listed:</b> Suitable for wet locations</p> <p><b>UL 94:</b> 5VA flame classification</p> <p><b>FCC:</b> Complies with Part 15 of the FCC Rules</p> <p><b>NSF:</b> NSF Certified by Public Health and Safety</p> <p><b>NEMA Rating:</b> 4X, protected against corrosion</p>	<p><b>IESNA LM-79 &amp; LM-80 Testing:</b> RAB LED luminaires and LED components have been tested by an independent laboratory in accordance with IESNA LM-79 and LM-80.</p> <p><b>DLC Listed:</b> This product is listed by Design Lights Consortium (DLC) as an ultra-efficient premium product that qualifies for the highest tier of rebates from DLC Member Utilities. Designed to meet DLC 5.1 requirements. DLC Product Code: S-5HVM30</p> <p><b>Electrical</b></p> <p><b>Driver:</b> Constant Current, Class 2, 120-277V, 50/60Hz, 120V: 0.46A, 208V: 0.26A, 240V: 0.23A, 277V 0.20A</p> <p><b>Dimming Driver:</b> Driver includes dimming control wiring for 0-10V dimming systems. Requires separate 0-10V DC dimming circuit. Dims down to 10%.</p> <p><b>THD:</b> 3.53% at 120V, 4.35% at 277V</p>	<p><b>Power Factor:</b> 99.9% at 120V, 96.98% at 277V</p> <p><b>Surge Protection:</b> 2.5kV</p> <p><b>Battery Backup:</b> Battery backup will operate the fixture for 90 minutes if power fails. Wired for 120-277V.</p> <p><b>Battery Backup Light Loss Factor:</b> 0.207</p>
--	--	--

## Technical Specifications (continued)

### LED Characteristics

#### LEDs:

Long-life, high-efficacy, surface-mount LEDs

#### Color Uniformity:

RAB's range of Correlated Color Temperature follows the guidelines of the American National Standard for Specifications for the Chromaticity of Solid State Lighting (SSL) Products, ANSI C78.377-2017.

### Performance

#### Lifespan:

100,000-Hour LED lifespan based on IES LM-80 results and TM-21 calculations

### Construction

#### IP Rating:

Ingress protection rating of IP66 for dust and water

#### Housing:

Impact-resistant polycarbonate\* with stainless steel door clips. 1/2" NPS opening for conduit and bushing/cord entry. \*Polycarbonate is affected by cleaning agents or other liquids containing partial solvents such as low molecular weight aldehydes and ethers, ketones, esters, aromatic hydrocarbons and perchlorinated hydrocarbons. [Click here for a detailed list of damaging chemicals.](#)

#### Mounting:

Quick-mount, stainless steel snap on brackets supplied for surface mounting. V-Hook brackets supplied standard for suspending the fixture.

#### Lens:

Diffuse polycarbonate lens for low glare and maximum protection

#### Reflector:

Cold-rolled steel

#### Gaskets:

High-temperature silicone gaskets

#### Cold Weather Starting:

The minimum starting temperature is -40°C (-40°F)

#### Maximum Ambient Temperature:

Suitable for use in up to 40°C (104°F)

#### Installation:

Tether Cables are provided for easy installation. Quick connector may be used for quick and easy wiring.

#### Green Technology:

Mercury and UV free. RoHS-compliant components.

#### Finish:

Formulated for high durability and long-lasting color

### Lightcloud

#### Lightcloud Blue Sensor Installed:

Occupancy, vacancy, and closed loop daylight harvesting in one versatile sensor. In addition control any fixture in your Lightcloud Blue integrated/embedded networked lighting luminaire-level control system. LLLC - capable of switching, 0-10V dimming, power/energy monitoring. Can also be used to extend the range of the Lightcloud Blue utilizing a "BLE Mesh" network communication protocols. The Lightcloud Blue sensor can be attached to the fixture provided an unobstructed view of the coverage area is available. DLC system - N1XMLOEATBA [Learn more about Lightcloud.](#)

### Sensor Specifications

#### Maximum Mounting Height:

19.68ft. (6m)

#### Operating Voltage:

DC Input: 10.5-15V

#### Dimming Control:

ON/OFF 0-10V Dimmable

#### Operating Temperature:

-20°C- 70°C (-4°F - 158°F)

#### IP Rating:

Ingress protection rating of IP65 for dust and water

#### Brightness:

Factory Setting: 100%

#### Sensitivity Setting:

25%/50%/75%/100%  
(Factory Setting: 50%)

#### Standby Period:

0s/10s/30s/1min/5min/10min/30min/60min/+∞  
(Factory Setting: 1min)

#### Daylight:

2Lux/10Lux/30Lux/50Lux/80Lux/120Lux/Disabled  
(Factory Setting: disabled)

#### Hold Time:

5s/30s/1min/3min/5min/10min/20min/30min  
(Factory Setting: 1min)

#### Standby Dimming:

10%20%/30%/50%  
(Factory Setting: 20%)

#### Detection Angle:

30° - 150° without glass cover

#### Detection Distance:

Radius 9.95-22.96ft (3-7m)

### Other

#### 5 Yr Limited Warranty:

The RAB 5-year, limited warranty covers light output, driver performance and paint finish. RAB's warranty is subject to all terms and conditions found at [rablighting.com/warranty](http://rablighting.com/warranty).

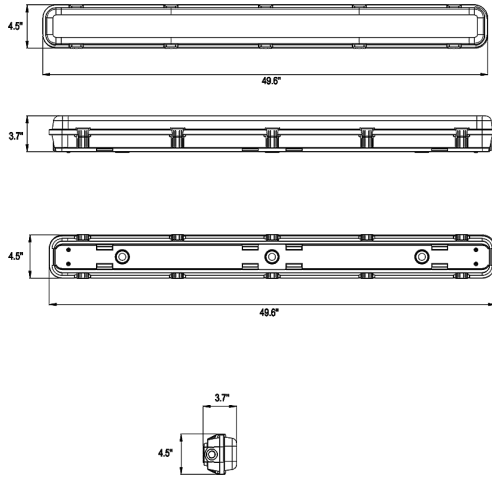
#### Buy American Act Compliance:

RAB values USA manufacturing! Upon request, RAB may be able to manufacture this product to be compliant with the Buy American Act (BAA). Please contact customer service to request a quote for the product to be made BAA compliant.

#### Equivalency :

Equivalent to (3) F32T8

Dimensions



Features

- 100,000-Hour LED lifespan
- DLC Premium Listed
- 0-10V dimming standard
- 5-Year, limited warranty

Ordering Matrix

Family	Length/Wattage	Color Temp	Finish	Voltage	Options
SEAL	4				/LCBS/E
	2 = 2 ft. 25/20/15W 4 = 4 ft. 50/40/30W 8 = 8 ft. 100/80/60W	Blank = Field Adjustable 5000K/4000K/3500K	Blank = Gray	Blank = 0-10V Dimming, 120-277V	Blank = No Option /PIR = Passive Infrared Sensor /MVS = Microwave Occupancy Sensor /E = Battery Backup /LCBS = Lightcloud Blue Passive Infrared Sensor /LCBS/MVS = Lightcloud Blue Microwave Occupancy Sensor /MVS/E = Microwave Occupancy Sensor w/ Battery Backup /PIR/E = Passive Infrared Sensor w/ Battery Backup /LCBS/E = Lightcloud Blue Sensor w/ Battery Backup /LCBS/MVS/E = Lightcloud Blue Microwave Occupancy Sensor w/ Battery Backup