



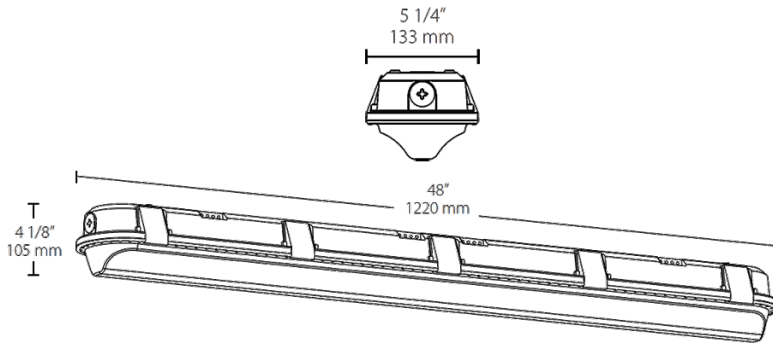
## Technical Specifications (continued)

### Other

#### American Bureau of Shipping (ABS) :

For use on Mobile Offshore Drilling Units (MODU) and shipping vessels.

### Dimensions



### Features

UL Marine Listed

Impact-resistant linear washdown

Ideal for car washes, tunnels and stairwells

Mounting options: Chain, junction box, angled surface mount or vandal-resistant surface mount

IP66 Rating protects against dust & water ingress

5-Year, no compromise warranty

100,000-Hour LED lifespan