



Low-maintenance, high-efficiency LED retrofit fixture installs on standard junction boxes.

Color: White

Weight: 3.4 lbs

**Project:**

**Type:**

**Prepared By:**

**Date:**

#### Driver Info

Type: Constant Current  
 120V: 0.11A  
 208V: N/A  
 240V: N/A  
 277V: N/A  
 Input Watts: 12W  
 Efficiency: N/A

#### LED Info

Watts: 12W  
 Color Temp: 3000K  
 Color Accuracy: 82 CRI  
 L70 Lifespan: 50000  
 Lumens: 986  
 Efficacy: 82 LPW

## Technical Specifications

### Listings

#### UL Listing:

Suitable for damp locations

#### ENERGY STAR® V2.0:

This product is ENERGY STAR® V2.0 qualified.

#### IESNA LM-79 & LM-80 Testing:

RAB LED luminaires have been tested by an independent laboratory in accordance with IESNA LM-79 and LM-80, and have received the Department of Energy "Lighting Facts" label.

### LED Characteristics

#### Lifespan:

50,000-hour LED lifespan based on IES LM-80 results and TM-21 calculations.

#### LEDs:

Long-life, high-efficiency surface mount LEDs

#### Color Consistency:

3-step MacAdam Ellipse binning to achieve consistent fixture-to-fixture color

#### Color Stability:

LED color temperature is warrantied to shift no more than 200K in CCT over a 5 year period.

#### Color Uniformity:

RAB's range of CCT (Correlated Color Temperature) follows the guidelines of the American National Standard for Specifications for the Chromaticity of Solid State Lighting (SSL) Products, ANSI C78.377-2011.

### Electrical

#### Driver:

120VAC TRIAC, Constant Current, Class 2, 60 Hz, 0.11A

#### Dimming Driver:

Compatible with TRIAC dimming at 120V.

#### THD:

21.4% at 120V

#### Power Factor:

96.6% at 120V

### Construction

#### Cold Weather Starting:

The minimum starting temperature is -4°F/-20°C.

#### Maximum Ambient Temperature:

Suitable for use in 40°C (104°F) ambient temperatures

#### Housing:

Steel sheet metal

#### Mounting:

Ceiling or wall mount to junction box

### Reflector:

White painted, reflective, steel sheet metal

### Lens:

Diffused Polymethyl Methacrylate (PMMA)

### Green Technology:

Mercury and UV free. RoHS compliant components. Polyester powder coat finish formulated without the use of VOC or toxic heavy metals.

### Finish:

Our environmentally friendly polyester powder coatings are formulated for high-durability and long-lasting color, and contain no VOC or toxic heavy metals.

### Other

#### Replacement:

SKEET™ XL 12W replaces two 13W CFL or 24W Circline.

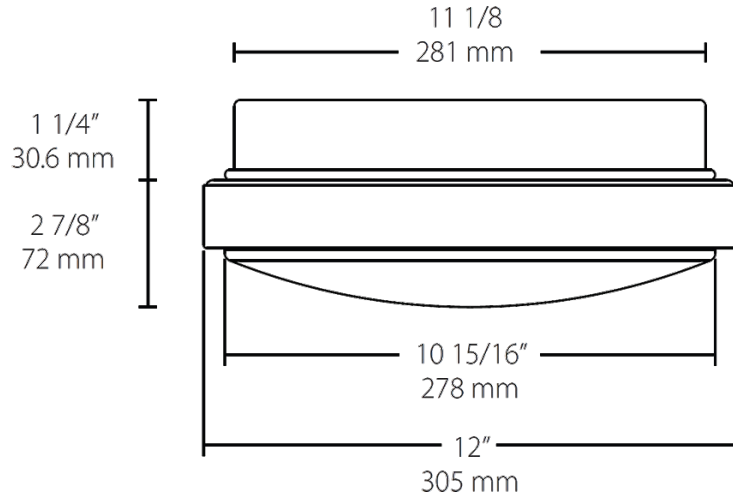
#### Warranty:

RAB warrants that our LED products will be free from defects in materials and workmanship for a period of five (5) years from the date of delivery to the end user, including coverage of light output, color stability, driver performance and fixture finish.

# SK12XL12RDY



## Dimensions



## Features

- Surface mount to ceiling or wall
- Opal lens provides soft, smooth light
- Compatible with TRIAC dimming

## Ordering Matrix

Family	Size	Type	Watts	Style	Color Temp
SK	12	XL	12	RD	Y
	21 = 21" 16 = 16" 12 = 12" 8 = 8"	XL = Skeet XL	25 = 25W (21" only) 20 = 20W (16" only) 12 = 12W (12" only) 10 = 10W (8" only)	R = Round Basic RD = Round w/ Decorative Ring	N = 4000K (Neutral) YN = 3500K (Warm Neutral) Y = 3000K (Warm) YY = 2700K (Residential Warm)