



Low-maintenance, high-efficiency LED retrofit fixture installs on standard junction boxes.

Color: White

Weight: 6.6 lbs

Project:

Type:

Prepared By:

Date:

Driver Info

Type: Constant Current
 120V: 0.17A
 208V: N/A
 240V: N/A
 277V: N/A
 Input Watts: 20W
 Efficiency: 98%

LED Info

Watts: 20W
 Color Temp: 3500K
 Color Accuracy: 84 CRI
 L70 Lifespan: 50000
 Lumens: 1,892
 Efficacy: 92 LPW

Technical Specifications

Listings

UL Listing:

Suitable for damp locations

ENERGY STAR® V2.0:

This product is ENERGY STAR® V2.0 qualified.

IESNA LM-79 & LM-80 Testing:

RAB LED luminaires have been tested by an independent laboratory in accordance with IESNA LM-79 and LM-80, and have received the Department of Energy "Lighting Facts" label.

LED Characteristics

Lifespan:

50,000-hour LED lifespan based on IES LM-80 results and TM-21 calculations.

LEDs:

Long-life, high-efficiency surface mount LEDs

Color Consistency:

3-step MacAdam Ellipse binning to achieve consistent fixture-to-fixture color

Color Stability:

LED color temperature is warrantied to shift no more than 200K in CCT over a 5 year period.

Color Uniformity:

RAB's range of CCT (Correlated Color Temperature) follows the guidelines of the American National Standard for Specifications for the Chromaticity of Solid State Lighting (SSL) Products, ANSI C78.377-2011.

Electrical

Driver:

120VAC TRIAC, Constant Current, Class 2, 60 Hz, 0.17A

Dimming Driver:

Compatible with TRIAC dimming at 120V.

THD:

17.7% at 120V

Power Factor:

98% at 120V

Construction

Cold Weather Starting:

The minimum starting temperature is -4°F/-20°C.

Maximum Ambient Temperature:

Suitable for use in 40°C (104°F) ambient temperatures

Housing:

Steel sheet metal

Mounting:

Ceiling or wall mount to junction box

Reflector:

White painted, reflective, steel sheet metal

Lens:

Diffused Polymethyl Methacrylate (PMMA)

Green Technology:

Mercury and UV free. RoHS compliant components. Polyester powder coat finish formulated without the use of VOC or toxic heavy metals.

Finish:

Our environmentally friendly polyester powder coatings are formulated for high-durability and long-lasting color, and contain no VOC or toxic heavy metals.

Other

Replacement:

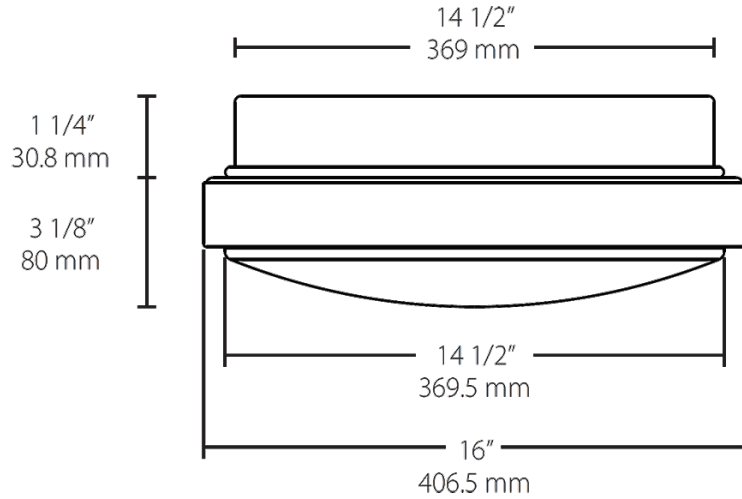
SKEET™ XL 20W replaces two 18W CFL or 32W Circline.

Warranty:

RAB warrants that our LED products will be free from defects in materials and workmanship for a period of five (5) years from the date of delivery to the end user, including coverage of light output, color stability, driver performance and fixture finish.

SK16XL20RDYN

Dimensions



Features

- Surface mount to ceiling or wall
- Opal lens provides soft, smooth light
- Compatible with TRIAC dimming

Ordering Matrix

Family	Size	Type	Watts	Style	Color Temp
SK	16	XL	20	RD	YN
	21 = 21"	XL = Skeet XL	25 = 25W (21" only)	R = Round Basic	N = 4000K (Neutral)
	16 = 16"		20 = 20W (16" only)	RD = Round w/ Decorative Ring	YN = 3500K (Warm Neutral)
	12 = 12"		12 = 12W (12" only)		Y = 3000K (Warm)
	8 = 8"		10 = 10W (8" only)		YY = 2700K (Residential Warm)