



Available in four configurations, RAB in-line connectors enable RAB fixtures to be mounted to an assortment of RAB arms. Connectors come in black, white and bronze to match RAB fixtures.

Color: Black

Weight: 0.2 lbs

<b>Project:</b>	<b>Type:</b>
<b>Prepared By:</b>	<b>Date:</b>

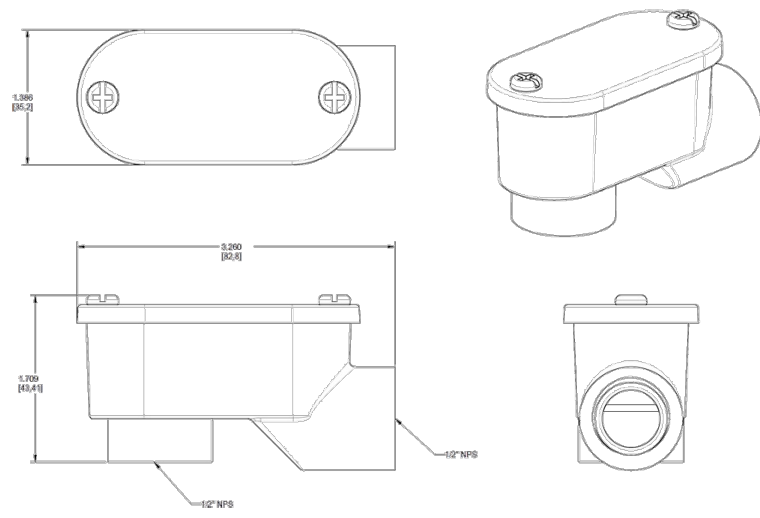
**Technical Specifications**

**Electrical**

**Connector:**

Inline conduit box connector 90° 1/2" NPS small. Use to connect RAB fixtures to RAB arms for added versatility.

**Dimensions**



**Features**

Provides a splice box that matches RAB bronze, black or white fixtures  
Use to connect RAB fixtures to RAB arms for added versatility