



Round LED Step Lights Equivalent to 13 Watt CFL or 40 Watt incandescent. Applications for steps, decks, landscape and entries. Meets ADA requirements. 5 Year warranty.

Color: Bronze

Weight: 1.2 lbs

<b>Project:</b>	<b>Type:</b>
<b>Prepared By:</b>	<b>Date:</b>

Driver Info		LED Info	
Type:	Constant Current	Watts:	5W
120V:	0.1A	Color Temp:	3000K
208V:	0.06A	Color Accuracy:	87 CRI
240V:	0.05A	L70 Lifespan:	100000
277V:	N/A	Lumens:	133
Input Watts:	5W	Efficacy:	25 LPW
Efficiency:	94%		

## Technical Specifications

### Listings

#### UL Listing:

Suitable for wet locations. Suitable for mounting within 4ft. of the ground.

#### IESNA LM-79 & IESNA LM-80 Testing:

RAB LED luminaires have been tested by an independent laboratory in accordance with IESNA LM-79 and 80, and have received the Department of Energy "Lighting Facts" label.

#### Dark Sky Approved:

The International Dark Sky Association has approved this product as a full cutoff, fully shielded luminaire.

### LED Characteristics

#### Lifespan:

100,000-hour LED lifespan based on IES LM-80 results and TM-21 calculations.

#### Color Consistency:

3-step MacAdam Ellipse binning to achieve consistent fixture-to-fixture color.

#### Color Temperature (Nominal CCT):

3000K

#### Color Accuracy:

87 CRI

### Electrical

#### Voltage:

100V - 240V.

#### Driver:

4W high output long life LED. Driver Constant Current, Class 2, 50-60 Hz, 100-240 VAC 0.18 amps.

#### Surge Protection:

1000 Volts.

### Construction

#### Finish:

Our environmentally friendly polyester powder coatings are formulated for high-durability and long-lasting color, and contains no VOC or toxic heavy metals.

#### Thermal Management:

Integral cast aluminum mounting pad for optimum heat sinking to ensure cool operation with maximum LED life and light output.

#### Cold Weather Starting:

The minimum starting temperature is -40°C/-40°F

#### Maximum Ambient Temperature:

Suitable for use in 40°C (104°F) ambient temperatures

#### Green Technology:

Mercury and UV free. RoHS compliant components. Polyester powder coat finish formulated without the use of VOC or toxic heavy metals.

#### Housing:

Precision die cast aluminum housing and mounting plate (junction box not included).

#### Gasket:

High temperature silicone.

#### For use on LEED Buildings:

IDA Dark Sky Approval means that this fixture can be used to achieve LEED Credits for Light Pollution Reduction.

### Optical

#### Lumen Maintenance:

The LED will deliver 70% of its initial lumens at 100,000 hours of operation.

### Other

#### Equivalency:

The SLEDR5 is Equivalent in delivered lumens to a 13W CFL or 60W incandescent step light.

#### HID Replacement Range:

The SLEDR5 can be used to replace 13-26W CFL or 13-60W incandescent step lights based on delivered lumens.

#### Patents:

The design of the SLED Lights are protected by U.S. Pat. D612,974, CA Pat. 133100, and China Pat. ZL201030129138.4.

#### Country of Origin:

Designed by RAB in New Jersey and assembled in Taiwan.

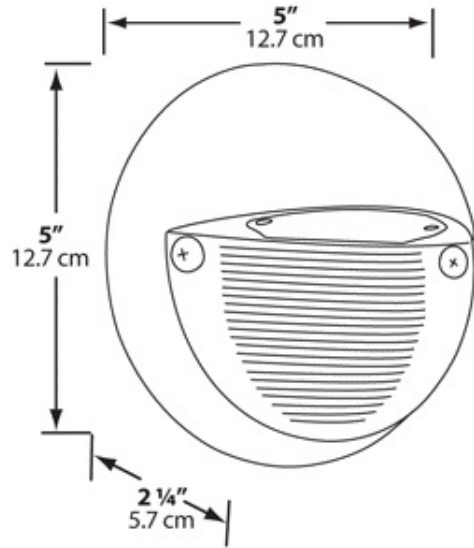
#### Trade Agreements Act Compliant:

This product is a product of Taiwan and a "designated country" end product that complies with the Trade Agreements Act.

#### GSA Schedule:

Suitable in accordance with FAR Subpart 25.4.

## Dimensions



## Features

- 5 Watt, High output LED
- 100,000 hour life
- Superior heat sinking with die cast aluminum housing
- Meets ADA Requirements
- Junction Box Not Included