



Wall or ceiling mount to control 500 Watts incandescent or 100 Watts Fluorescent lighting. Vandalproof lens. Full 180° view . Cover not included.

Color: White

Weight: 1.9 lbs

Project:	Type:
Prepared By:	Date:

Technical Specifications

Listings

UL Listing:

Suitable for wet locations.

Construction

Compatibility:

Compatible with most electronic ballasts. Not compatible with instant start ballasts.

Electrical

Voltage:

120 volts AC 60 Hz.

Manual Override:

Double flip wall switch logic prevents activation by brief power outages. Resets after 6 hours. No extra wiring needed.

Surge Protection:

Withstands up to 3000 volts.

RF Immunity:

Circuits fully shielded for maximum radio frequency immunity.

Incandescent Watts Switched:

500 watts @ 120 volts.

Fluorescent Watts Switched:

250 watts @ 120 volts.

Power Consumption:

Negligible

Manual Switch:

None.

Switching Capacity:

Relay On/Off Model Switches 240 watts when lights are mounted to sensor. 500 watts Incandescent or 240 watts Fluorescent of remotely mounted lighting @ 120 volts.

Sensor Characteristics

Time Adjustment:

5 seconds to 15 minutes.

Quick Test Time:

5 second test time for fast installation. Works day or night.

Time Delay:

5 seconds to 15 minutes.

Ambient Light Sensing:

Adjustable.

Detection:

180° detection pattern.

Other

"No Hands" Auto Testing:

Auto mode starts after 4 minutes of testing. No adjustment needed.

Photoelectric Control:

Deactivates lights during daylight. Fully adjustable for 24 hour operation or custom applications.

Ratings:

5 amps.

Adjustments:

Time, ambient light & sensitivity.

Warranty:

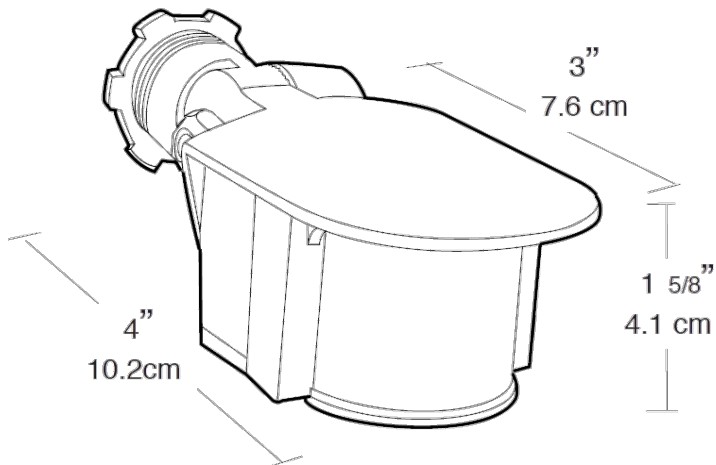
5 year sensor warranty.

LED Characteristics

LED Detection Indicator:

LED glows red day & night for "on guard" deterrence.

Dimensions



Features

- Surge protected
- 180° detection pattern
- Quick installation with 5 second test time and auto test logic
- LED "on guard" indicator
- Protected manual override with auto reset after 8 hours or at dawn