



Mini Sensor and 75w or double 75w quartz bullet floods. Quartz Bullet has silicone O-ring gasket, thick tempered glass lens, internal and external cooling fins. Gold plated socket contacts and 250°C Teflon coated wires for extended lamp life. Lamp supplied.

Color: Bronze

Weight: 2.1 lbs

| | |
|---------------------|--------------|
| Project: | Type: |
| Prepared By: | Date: |

Technical Specifications

Listings

UL Listing:

Suitable for wet locations.

Optical

Lamp:

75W T4 Bipin Lamp included.

Electrical

Socket:

GY8.

Switching Capacity:

500 watts Incandescent or 100 watts Fluorescent at 120 volts.

Voltage:

120 volts AC, 60Hz.

Surge Protection:

Withstands up to 3000 volts.

RF Immunity:

Circuits fully shielded for maximum radio frequency immunity.

Other

Detection Zone:

Full 180 degrees by 30'.

"No Hands" Auto Testing:

Auto mode starts after 4 minutes of testing. No adjustment needed.

Photoelectric Control:

Deactivates lights during daylight. Fully adjustable for 24 hour operation or custom applications.

Manually Override:

Double flip wall switch logic prevents activation by short power outages. Resets after 6 hours. No extra wiring needed.

Patents:

RAB sensor fixture designs are protected under U.S. and international intellectual property laws.

Sensor Characteristics

Quick Test Time:

5 seconds test time for fast installation. Works day or night.

Time Adjustment:

5 seconds to 15 minutes.

Construction

Vandal Resistant Lens:

Hard lens resists vandalism.

Case Construction:

Precision molded Lexan.

Built for Severe Conditions:

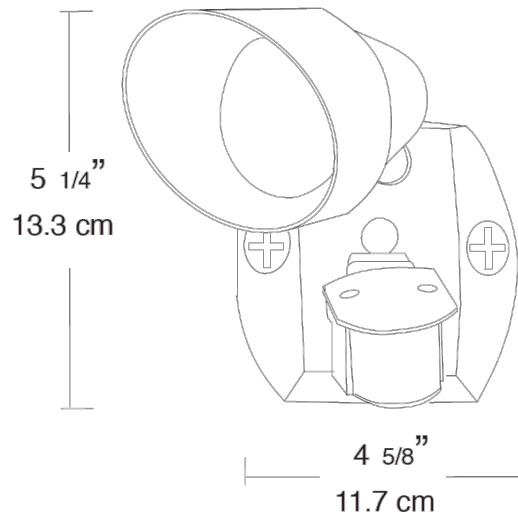
Double weatherproofing for long life.

LED Characteristics

LED Detection Indicator:

Glowes red day and night for "on-guard" deterrence.

Dimensions



Features

- Surge protected
- 180° detection pattern
- Quick installation with 5 second test time and auto test logic
- LED "on guard" indicator
- Protected manual override with auto reset after 8 hours or at dawn