



Adapts under cabinet task lights to sensor control. Fits into the standard switch knockout. Easy three wire installation. 12" long wires, 180° view sensor swivels 330° for use in most situations. Controls 250 Watts Fluorescent.

Color: White

Weight: 0.7 lbs

Project:	Type:
Prepared By:	Date:

Technical Specifications

Listings

UL Listing:

For indoor applications.

Construction

Compatibility:

Compatible with most electronic ballasts. Not compatible with instant start ballasts.

Vandal Resistant Lens:

Hard lens resists vandalism.

Fixture Housing:

Formed sheet metal with translucent styrene lens.

Fixture Finish:

Bright white epoxy powder coating.

Fixture Sockets:

Miniature bi-pin, G5.

Electrical

Voltage:

120 volts AC, 60 Hz.

Wall Switch Manual Override:

Two flip logic prevents activation by momentary power outages. Override resets to auto at dawn. No extra wiring needed.

Switching Capacity:

500 watts Incandescent or 250 watts Fluorescent.

Sensor Characteristics

Time Adjustment:

Adjustable from 5 seconds to 15 minutes.

Sensor Construction:

Precision molded Lexan.

Sensor Wires:

12" long.

Detection:

180° degree view.

Other

Detection Zone:

120° by 30', aimable.

Lamps Supplied:

T5.

Country of Origin:

Designed by RAB in New Jersey and assembled in the USA by RAB's IBEW Local 3 workers.

Buy American Act Compliant:

This product is a COTS item manufactured in the United States, and is compliant with the Buy American Act.

Recovery Act (ARRA) Compliant:

This product complies with the 52.225-21 "Required Use of American Iron, Steel, and Manufactured Goods-- Buy American Act-- Construction Materials (October 2010).

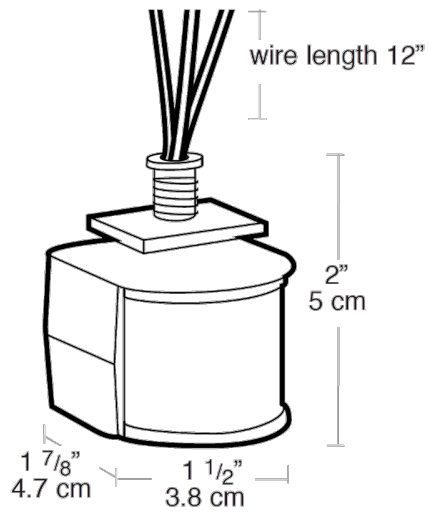
Trade Agreements Act Compliant:

This product is a COTS item manufactured in the United States, and is compliant with the Trade Agreements Act.

GSA Schedule:

Suitable in accordance with FAR Subpart 25.4.

Dimensions



Features

- Motion activated Undercabinet light
- 120° by 30' view sensor swivels 330° to aim as needed
- High quality 1" thin undercabinet fixture in a variety of lengths
- Retrofit sensor fits in standard undercabinet fixture switch knockouts
- Adapts existing undercabinet task lights to sensor control
- Easy 3-wire installation
- Controls up to 250 Watts Fluorescent
- Time adjustable from 5 seconds to 15 minutes