

UPC: 0192552005166



Color: Clear



Weight: 11.1 lbs

Project:	Type:
Prepared By:	Date:

Technical Specifications

Performance

Product Type:

Decorative

Input Wattage:

100W

Typical Lumen Output:

12000lm

Efficacy:

120 lm/W

CRI:

>80

L70 Lifespan:

50,000-Hour LED lifespan based on IES LM-70 results

Compliance

Enclosed Fixtures:

Suitable for use in enclosed fixtures

LED Characteristics

Color Temperature:

5000K

Construction

Bulb Shape:

Stringer light

Base Type:

Plug

Endcap Material:

Metal

Enclosure Material:

Polycarbonate

Beam Angle:

360°

Electrical

Power Factor:

>0.9

Technical Specifications (continued)

Electrical

Operating Temperature:

-30°C - 60°C

Input Voltage:

120V

Operating Frequency:

60 Hz

Electrical Characteristics

THD:

<20%

Flicker:

<30%

Installation

Installation Orientation:

Vertical

Other

Warranty (Years):

RAB warrants that our LED products will be free from defects in materials and workmanship for a period of five (5) years from the date of delivery to the end user, including coverage of light output, color stability, driver performance and fixture finish. RAB's warranty is subject to all terms and conditions found at rablighting.com/warranty.

Buy American Act Compliance:

RAB values USA manufacturing! Upon request, RAB may be able to manufacture this product to be compliant with the Buy American Act (BAA). Please contact customer service to request a quote for the product to be made BAA compliant.

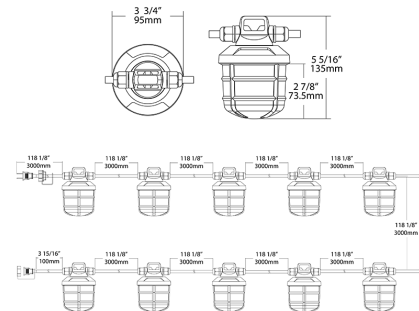
Equivalency:

400W HID

Case and Pallet Dimensions

	QTY	LENGTH (in)	WIDTH (in)	HEIGHT (in)
CASE	2	10.9	14.8	10.9
PALLET	36	40.6	49.2	48

Dimension



Ordering Matrix

Family		Length/Wattage/Lumens		CRI/Color Temp
STRING	-	100	-	850
		50 = 50ft/50W/5,000lm		850 = 80 CRI/5000K (Cool)
		100 = 100ft/100W/10,000lm		