

Color: White

Weight: 0.1 lbs

<b>Project:</b>	<b>Type:</b>
<b>Prepared By:</b>	<b>Date:</b>

Driver Info		LED Info	
Type	N/A	Watts	0W
120V	N/A	Color Temp	N/A
208V	N/A	Color Accuracy	N/A
240V	N/A	L70 Lifespan	N/A Hours
277V	N/A	Lumens	N/A
Input Watts	6W	Efficacy	N/A

## Technical Specifications

### Performance

#### Description:

Mounting kit for 7-inch SUMO models that allows for installation into recessed housings.

#### Product Type:

Surface & Flush Mounts

### Construction

#### Material:

Plastic

#### Base Type:

E26

#### Shape:

Round

#### Size:

6"

### Other

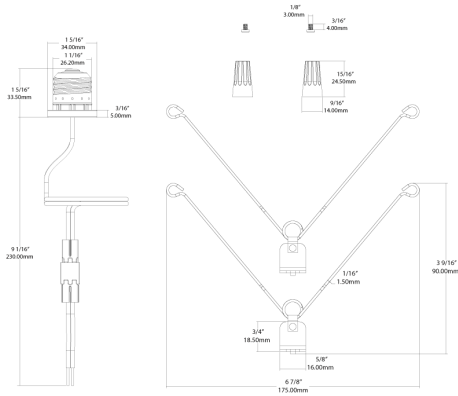
#### Trade Agreements Act Compliant:

This product is a product of Cambodia and a "designated country" end product that complies with the Trade Agreements Act

#### Buy American Act Compliance:

RAB values USA manufacturing! Upon request, RAB may be able to manufacture this product to be compliant with the Buy American Act (BAA). Please contact customer service to request a quote for the product to be made BAA compliant.

## Dimensions



## Features

- Surface or Recessed mounting options
- Select from 5 field-adjustable color temperatures 2700K, 3000K, 3500K, 4000K, or 5000K
- Suitable for wet and damp locations
- Compatible with triac dimming systems, see Dimmer Compatibility List
- Meets California Title 24 requirements
- Mounting kit for recessed housing sold separately

## Ordering Matrix

Family	Size	Shape
SUMO	6IN	RETROFIT
	5 = 5.5"	R = Round
	7 = 7"	S = Square
	9 = 9"	