

Technical Specifications (continued)

LED Characteristics

Color Temperature:

Field Adjustable: 5000K/4000K/3500K/3000K/2700K

Color Accuracy (CRI):

>90 CRI

R9 Value:

High color performance with R9 greater than or equal to 50

Color Consistency:

4-step MacAdam Ellipse binning to achieve consistent fixture-to-fixture color

Color Stability:

LED color temperature is warrantied to shift no more than 200K in color temperature over a 5-year period

Color Uniformity:

RAB's range of Correlated Color Temperature follows the guidelines of the American National Standard for Specifications for the Chromaticity of Solid State Lighting (SSL) Products, ANSI C78.377-2017.

Installation

Mounting:

Surface Mount

Construction

Finish:

Formulated for high durability and long-lasting color

Housing Material:

Metal

Trim Style:

Smooth

Lens:

Frosted lens constructed from polycarbonate material diffuses light evenly and smoothly

Compliance

Safety Listing:

UL Listed

Environment:

Suitable for use in indoor and outdoor application in dry, damp, and wet environments

UV Protection:

Fade-resistant powder spray polyester

Energy Star Approved:

This product is ENERGY STAR® Version 2.2 Certified

California Energy Commission (CEC) Status:

Lawful for Sales in California

NEC Compliant:

Suitable for use in closets. Compliant with NEC Sec. 410.16 (A)(1) and 410.16 (C3).

IESNA LM-79 & LM-80 Testing:

RAB LED luminaires and LED components have been tested by an independent laboratory in accordance with IESNA LM-79 and LM-80

RoHS:

Mercury and UV free. RoHS-compliant components.

FCC:

Complies with Part 15 of the FCC Rules

Other

Compatible Products:

[DRI-25-EMGR-DC](#)

[25W Emergency Driver](#)

Warranty:

RAB warrants that our LED products will be free from defects in materials and workmanship for a period of five (5) years from the date of delivery to the end user, including coverage of light output, color stability, driver performance and fixture finish. RAB's warranty is subject to all terms and conditions found at rablighting.com/warranty.

Trade Agreements Act Compliant:

This product is a product of Cambodia and a "designated country" end product that complies with the Trade Agreements Act

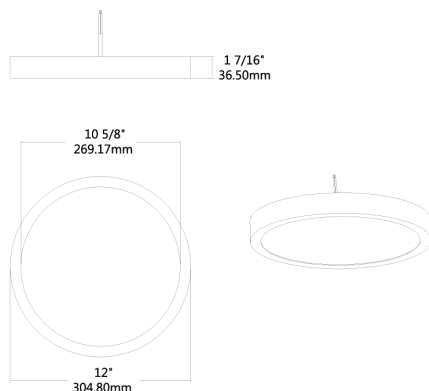
Note:

All values are typical (tolerance +/- 10%)

Buy American Act Compliance:

RAB values USA manufacturing! Upon request, RAB may be able to manufacture this product to be compliant with the Buy American Act (BAA). Please contact customer service to request a quote for the product to be made BAA compliant.

Dimensions



Features

- Select from 5 field-adjustable color temperatures 5000K, 4000K, 3500K, 3000K, or 2700K
- Suitable for indoor/outdoor applications in dry, damp, or wet environments
- 0-10V and TRIAC/ELV dims down to 10%. See Dimmer Compatibility List
- Meets California Title 24 requirements
- 50,000-Hour LED lifespan
- 5-Year, No-Compromise Warranty
- 120V-277V