



## Technical Specifications (continued)

### LED Characteristics

#### Color Temperature:

Field Adjustable: 5000K/4000K/3500K/3000K/2700K

#### Color Accuracy (CRI):

>90 CRI

#### R9 Value:

High color performance with R9 greater than or equal to 50

#### Color Consistency:

4-step MacAdam Ellipse binning to achieve consistent fixture-to-fixture color

#### Color Stability:

LED color temperature is warrantied to shift no more than 200K in color temperature over a 5-year period

#### Color Uniformity:

RAB's range of Correlated Color Temperature follows the guidelines of the American National Standard for Specifications for the Chromaticity of Solid State Lighting (SSL) Products, ANSI C78.377-2017.

### Installation

#### Mounting:

Surface Mount

#### Construction

#### Size:

15"

#### Shape:

Round

#### Finish:

Formulated for high durability and long-lasting color

#### Housing Material:

Metal

#### Trim Style:

Smooth

#### Lens:

Frosted lens constructed from polycarbonate material diffuses light evenly and smoothly

### Compliance

#### Safety Listing:

UL Listed

#### Environment:

Suitable for use in indoor and outdoor application in dry, damp, and wet environments

#### UV Protection:

Fade-resistant powder spray polyester

#### Energy Star Approved:

This product is ENERGY STAR® Version 2.2 Certified

#### California Energy Commission (CEC) Status:

Lawful for Sales in California

#### NEC Compliant:

Suitable for use in closets. Compliant with NEC Sec. 410.16 (A)(1) and 410.16 (C3).

#### IESNA LM-79 & LM-80 Testing:

RAB LED luminaires and LED components have been tested by an independent laboratory in accordance with IESNA LM-79 and LM-80

#### RoHS:

Mercury and UV free. RoHS-compliant components.

#### FCC:

Complies with Part 15 of the FCC Rules

### Other

#### Warranty:

RAB warrants that our LED products will be free from defects in materials and workmanship for a period of five (5) years from the date of delivery to the end user, including coverage of light output, color stability, driver performance and fixture finish. RAB's warranty is subject to all terms and conditions found at [rablighting.com/warranty](http://rablighting.com/warranty).

#### Trade Agreements Act Compliant:

This product is a product of Cambodia and a "designated country" end product that complies with the Trade Agreements Act

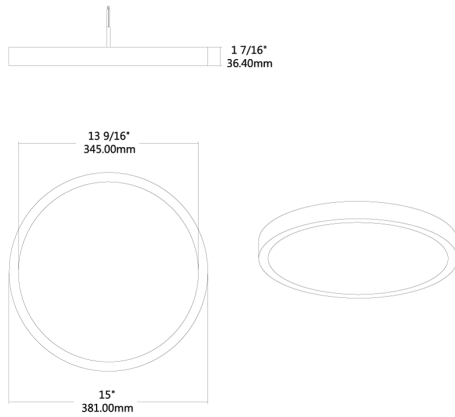
#### Note:

All values are typical (tolerance +/- 10%)

#### Buy American Act Compliance:

RAB values USA manufacturing! Upon request, RAB may be able to manufacture this product to be compliant with the Buy American Act (BAA). Please contact customer service to request a quote for the product to be made BAA compliant.

## Dimensions



## Features

- Select from 5 field-adjustable color temperatures 5000K, 4000K, 3500K, 3000K, or 2700K
- Suitable for indoor/outdoor applications in dry, damp, or wet environments
- 0-10V and TRIAC/ELV dims down to 10%. See Dimmer Compatibility List
- Meets California Title 24 requirements
- 50,000-Hour LED lifespan
- 5-Year, No-Compromise Warranty
- 120V-277V