

<b>Project:</b>	<b>Type:</b>
<b>Prepared By:</b>	<b>Date:</b>

Driver Info		LED Info	
Type	Constant Current	Watts	12W
120V	0.11A	Color Temp	2700K/3000K/3500K/4000K/5000K
208V	0.06A	Color Accuracy	90 CRI
240V	0.05A	L70 Lifespan	50,000 Hours
277V	0.05A	Lumens	950
Input Watts	12W	Efficacy	79.2

## Technical Specifications

### Performance

#### Description:

The SUMO offers a sleek, low-profile design that adds a modern look to any space. They are easy to install with field adjustable color temperature, universal voltage (120/277V), affordable, and a stylish options for new construction or retrofit. Mounting kit for recessed housing sold separately.

#### Product Type:

Surface & Flush Mounts

#### Input Wattage:

12W

#### Lumens (Nominal):

950lm

#### Efficacy:

79.2 lm/W

#### L70 Lifespan:

50,000-Hour LED lifespan based on IES LM-70 results

#### R9 Value:

High color performance with R9 greater than or equal to 50

### Compliance

#### UL Listed:

Suitable for wet locations

#### ENERGY STAR V2.2:

This product is ENERGY STAR® Version 2.2 Certified.

#### Energy Star ID:

2389553

### Electrical

#### Dimming Driver:

Driver includes dimming control wiring for 0-10V dimming systems. Requires separate 0-10V DC dimming circuit. Dims down to 10%.

#### THD:

≤20%

#### Power Factor:

≥0.9

#### Flicker:

≤30%

## Technical Specifications (continued)

### Electrical

**Input Voltage:**

120-277V

**Operating Frequency:**

50/60Hz

### Construction

**Material:**

Plastic

**Trim Style:**

Smooth Trim

**Shape:**

Round

**Mounting:**

Surface and recessed mount

**Operating Temperature:**

-20°C (-4°F) to 40°C (104°F)

**Size:**

7"

### Optical

**Beam Angle:**

110°

### Other

**Warranty:**

RAB warrants that our LED products will be free from defects in materials and workmanship for a period of five (5) years from the date of delivery to the end user, including coverage of light output, color stability, driver performance and fixture finish. RAB's warranty is subject to all terms and conditions found at [rablighting.com/warranty](http://rablighting.com/warranty).

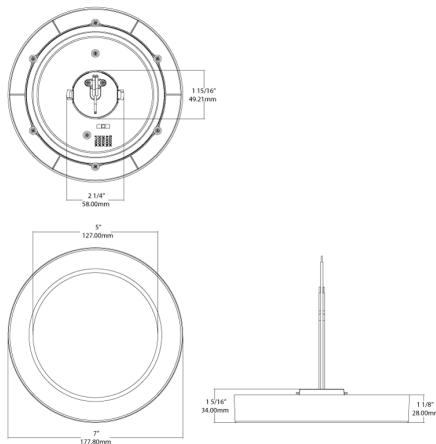
**Trade Agreements Act Compliant:**

This product is a product of Cambodia and a "designated country" end product that complies with the Trade Agreements Act

**Buy American Act Compliance:**

RAB values USA manufacturing! Upon request, RAB may be able to manufacture this product to be compliant with the Buy American Act (BAA). Please contact customer service to request a quote for the product to be made BAA compliant.

## Dimensions



## Features

- Surface or Recessed mounting options
- Select from 5 field-adjustable color temperatures 2700K, 3000K, 3500K, 4000K, or 5000K
- Suitable for wet and damp locations
- Compatible with triac dimming systems, see Dimmer Compatibility List
- Meets California Title 24 requirements
- Mounting kit for recessed housing sold separately

## Ordering Matrix

Family	Size	Shape	Wattage	Color Temp	Voltage	Finish
SUMOFA	7	R	12	95CCT	UNV	W
	5 = 5.5" 7 = 7" 9 = 9"	R = Round S = Square	10 = 10W 12 = 12W 13 = 13W 14 = 14W 16 = 16W 18 = 18W 22 = 22W	9CCT = 5000/4000/3500/3000/2700K 95CCT = 5000/4000/3500/3000/2700K	120 = 120V, Triac Dimming UNV = 120/277V, 0-10V Dimming UNVT = 120/277V, Triac Dimming	W = White