

SWISH2X2- 19N/D10/MVS/E2



LED efficiency and performance in an economical 2'x2' center basket troffer with emergency battery-backup that will operate the fixture for at least 90 minutes if power fails.

Color: White

Weight: 15.7 lbs

| | |
|---------------------|--------------|
| Project: | Type: |
| Prepared By: | Date: |

| Driver Info | | LED Info | |
|--------------|------------------|-----------------|---------|
| Type: | Constant Current | Watts: | 19W |
| 120V: | 0.16A | Color Temp: | 4000K |
| 208V: | 0.10A | Color Accuracy: | 85 CRI |
| 240V: | 0.09A | L70 Lifespan: | 100000 |
| 277V: | 0.08A | Lumens: | 2,461 |
| Input Watts: | 19W | Efficacy: | 126 LPW |
| Efficiency: | 97% | | |

Technical Specifications

Listings

UL Listing:

Suitable for damp locations

IESNA LM-79 & IESNA LM-80 Testing:

RAB LED luminaires have been tested by an independent laboratory in accordance with IESNA LM-79 and 80, and have received the Department of Energy "Lighting Facts" label.

Electrical

Driver:

Class 2, Constant Current, 100-277V, 50/60Hz, 120V: 0.16A, 208V: 0.10A, 240V: 0.09A, 277V: 0.08A, THD <15%, Power Factor >90%, 4kV surge protection

Dimming Driver:

Driver includes dimming control for 0-10V dimming systems. Requires separate 0-10V DC dimming circuit. Dims as low as 10%.

Emergency Battery Backup:

Emergency battery backup will operate the fixture for 90 minutes if power fails. Wired for 120-277V.

THD:

13.1% at 120V, 12.6% at 277V

Power Factor:

98.7% at 120V, 90.1% at 277V

Smart Sensing:

Programmable occupancy sensor for multi-level lighting control. Includes manual override from a light switch.

Construction

Ambient Temperature:

Suitable for 40°C (104°F) ambient temperatures

IC Rating:

Suitable for direct contact with insulation

Housing:

Die-formed, 20-gauge, cold-rolled steel

Mounting:

Integral T-grid clips make installation easy and secure

Reflector:

High-reflectance, powder-coated finish, optimized for uniform distribution

Lens:

Snap-in, frosted polycarbonate lens

Finish:

Our environmentally friendly polyester powder coatings are formulated for high-durability and long-lasting color, and contains no VOC or toxic heavy metals.

Green Technology:

Mercury and UV free. RoHS compliant components. Polyester powder coat finish formulated without the use of VOC or toxic heavy metals.

LED Characteristics

LEDs:

Long-life, high-efficiency surface mount LEDs

Lifespan:

100,000-hour LED lifespan based on IES LM-80 results and TM-21 calculations.

Color Stability:

LED color temperature is warrantied to shift no more than 200K in CCT over a 5 year period.

Color Uniformity:

RAB's range of CCT (Correlated Color Temperature) follows the guidelines of the American National Standard for Specifications for the Chromaticity of Solid State Lighting (SSL) Products, ANSI C78.377-2011.

Other

Country of Origin:

Designed by RAB in New Jersey and assembled in the USA by RAB's IBEW Local 3 workers.

Buy American Act Compliant:

This product is a COTS item manufactured in the United States, and is compliant with the Buy American Act.

Recovery Act (ARRA) Compliant:

This product complies with the 52.225-21 "Required Use of American Iron, Steel, and Manufactured Goods-- Buy American Act-- Construction Materials (October 2010).

Trade Agreements Act Compliant:

This product is a COTS item manufactured in the United States, and is compliant with the Trade Agreements Act.

GSA Schedule:

Suitable in accordance with FAR Subpart 25.4.

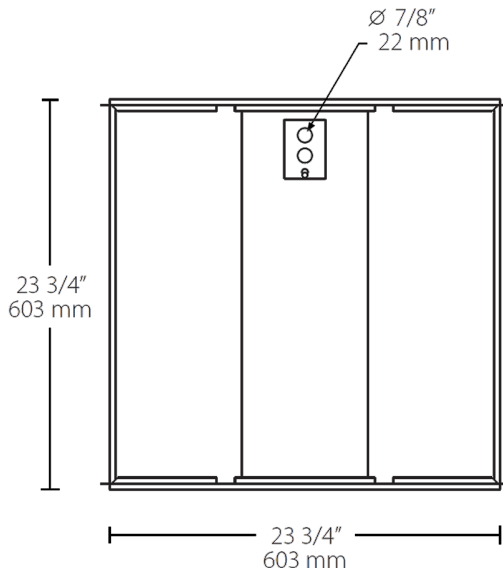
Replacement:

19 Watt 2x2 replaces (2) F17 T8 or (2) F24 T5

Technical Specifications (continued)

| | | |
|--------------------------------------------------------------------------------------------------------------------------------------------------------------------------------------------------------------------------------------------------------------------------------------------------------------------------------------------------------------------------------------------------------------------------------------------------------------------------------------------------------------------------------------------------------------------------------------------------------------------------------------------------------------------------------------------------------------------------------|-----------------------------------------------------------------------------------------------------------------------------------------------------------------------------------------------------------------------------------------------------------------------------------------------------------------------------------------------------------------------------------------------------|----------------------------------------------------------------------------------------------------------------------------------------------------------------------------------------------------------------------------------------------------------------------------------------------------------------------------------------------------------------------------------------------------------------------------|
| <p>Other</p> <hr/> <p>Warranty: RAB warrants that our LED products will be free from defects in materials and workmanship for a period of five (5) years from the date of delivery to the end user, including coverage of light output, color stability, driver performance and fixture finish.</p> <p>Patents: This design is protected by patents pending in US, Canada, China, Taiwan and Mexico.</p> <p>Sensor Specifications</p> <hr/> <p>Capacitance Load: 400W at 120V, 800W at 230V, 1000W at 277V</p> <p>Operating Temperature: -20°C to +60°C (-4°F to +140°F)</p> <p>Relay: Zero-cross relay</p> <p>Maximum Mounting Height: 5m</p> | <p>Customizable Detection Area: 10, 50, 75 or 100%</p> <p>Time Delay: 5s, 30s, 1min, 5min, 10min, 20min, 30min</p> <p>Cut Off Period: 0s, 10s, 1min, 5min, 10min, 30min, 1hr, Bi-Level</p> <p>Cut Off Dimming level: 10, 20, 30, 50%</p> <p>Cut Off Power: Less than 1W</p> <p>Daylight Threshold: About .2-5 fc for disabled</p> | <p>Sensor Principle: High Frequency</p> <p>Microwave Frequency: 5.8GHz +/- 75MHz</p> <p>Microwave Power: <0.2mW</p> <p>Detection Range Max: 16m across, 10m high</p> <p>Detection Angle: About 30 to 150 degrees</p> <p>Remote Control: Adjust settings using remote control (catalog# MVSREM). Only available with 0-10V dimming driver options.</p> |
|--------------------------------------------------------------------------------------------------------------------------------------------------------------------------------------------------------------------------------------------------------------------------------------------------------------------------------------------------------------------------------------------------------------------------------------------------------------------------------------------------------------------------------------------------------------------------------------------------------------------------------------------------------------------------------------------------------------------------------|-----------------------------------------------------------------------------------------------------------------------------------------------------------------------------------------------------------------------------------------------------------------------------------------------------------------------------------------------------------------------------------------------------|----------------------------------------------------------------------------------------------------------------------------------------------------------------------------------------------------------------------------------------------------------------------------------------------------------------------------------------------------------------------------------------------------------------------------|

Dimensions



Features

- Emergency battery back-up included
- Optional surface mount and dry wall frame kits available
- Optional programmable occupancy sensor for multi-level lighting control
- 0-10V dimming standard on all models
- 100,000-hour LED lifespan
- 5-year warranty

Ordering Matrix

| Family | Size | Watts | Color Temp | Dimming | Sensor | Battery Backup |
|--------|---------------|----------------------|----------------------------------------------------------------------|-----------------|--------------------------------------------------------|-------------------------------|
| SWISH | 2X2 | 19 | N | /D10 | /MVS | /E2 |
| | 2X2 = 2' x 2' | 19 = 19W 29 = 29W | Y = 3000K (Warm) YN = 3500K (Warm Neutral) N = 4000K (Neutral) | /D10 = Dimmable | Blank = No Occupancy Sensor /MVS = Occupancy Sensor | /E2 = 120-277V Battery Backup |