



LED efficiency and performance in an economical 2'x2' center basket troffer with emergency battery-backup that will operate the fixture for at least 90 minutes if power fails.

Color: White

Weight: 15.7 lbs

<b>Project:</b>	<b>Type:</b>
<b>Prepared By:</b>	<b>Date:</b>

Driver Info		LED Info	
Type:	Constant Current	Watts:	29W
120V:	0.24A	Color Temp:	3500K
208V:	0.15A	Color Accuracy:	85 CRI
240V:	0.13A	L70 Lifespan:	100000
277V:	0.11A	Lumens:	3,528
Input Watts:	29W	Efficacy:	121 LPW
Efficiency:	99%		

## Technical Specifications

### Listings

#### UL Listing:

Suitable for damp locations

#### IESNA LM-79 & IESNA LM-80 Testing:

RAB LED luminaires have been tested by an independent laboratory in accordance with IESNA LM-79 and 80, and have received the Department of Energy "Lighting Facts" label.

### Electrical

#### Driver:

Class 2, Constant Current, 100-277V, 50/60Hz, 120V: 0.201A, 208V: 0.24A, 240V: 0.13A, 277V: 0.11A, THD <15%, Power Factor >90%, 4kV surge protection

#### Dimming Driver:

Driver includes dimming control for 0-10V dimming systems. Requires separate 0-10V DC dimming circuit. Dims as low as 10%.

#### Emergency Battery Backup:

Emergency battery backup will operate the fixture for 90 minutes if power fails. Wired for 120-277V.

#### THD:

13.3% at 120V, 12.4% at 277V

#### Power Factor:

99.0% at 120V, 92.1% at 277V

### Construction

#### Ambient Temperature:

Suitable for 40°C (104°F) ambient temperatures

#### IC Rating:

Suitable for direct contact with insulation

#### Housing:

Die-formed, 20-gauge, cold-rolled steel

#### Mounting:

Integral T-grid clips make installation easy and secure

#### Reflector:

High-reflectance, powder-coated finish, optimized for uniform distribution

#### Lens:

Snap-in, frosted polycarbonate lens

#### Finish:

Our environmentally friendly polyester powder coatings are formulated for high-durability and long-lasting color, and contains no VOC or toxic heavy metals.

#### Green Technology:

Mercury and UV free. RoHS compliant components. Polyester powder coat finish formulated without the use of VOC or toxic heavy metals.

### LED Characteristics

#### LEDs:

Long-life, high-efficiency surface mount LEDs

#### Lifespan:

100,000-hour LED lifespan based on IES LM-80 results and TM-21 calculations.

#### Color Stability:

LED color temperature is warranted to shift no more than 200K in CCT over a 5 year period.

#### Color Uniformity:

RAB's range of CCT (Correlated Color Temperature) follows the guidelines of the American National Standard for Specifications for the Chromaticity of Solid State Lighting (SSL) Products, ANSI C78.377-2011.

### Other

#### Country of Origin:

Designed by RAB in New Jersey and assembled in the USA by RAB's IBEW Local 3 workers.

#### Buy American Act Compliant:

This product is a COTS item manufactured in the United States, and is compliant with the Buy American Act.

#### Recovery Act (ARRA) Compliant:

This product complies with the 52.225-21 "Required Use of American Iron, Steel, and Manufactured Goods-- Buy American Act-- Construction Materials (October 2010).

#### Trade Agreements Act Compliant:

This product is a COTS item manufactured in the United States, and is compliant with the Trade Agreements Act.

#### GSA Schedule:

Suitable in accordance with FAR Subpart 25.4.

#### Replacement:

29 Watt 2x2 replaces (3) F17 T8 or (3) F14 T5

#### Warranty:

RAB warrants that our LED products will be free from defects in materials and workmanship for a period of five (5) years from the date of delivery to the end user, including coverage of light output, color stability, driver performance and fixture finish.

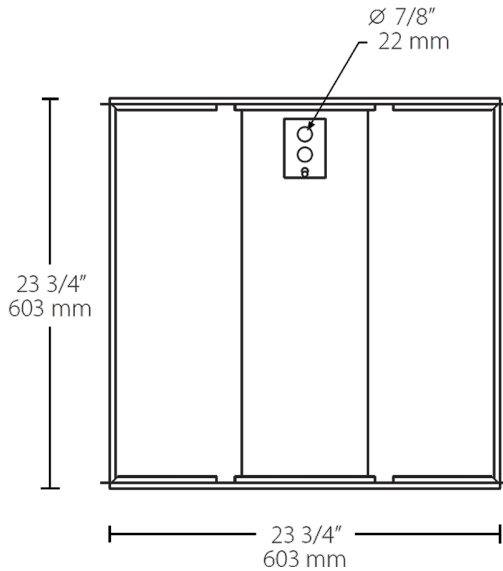
## Technical Specifications (continued)

### Other

#### Patents:

This design is protected by patents pending in US, Canada, China, Taiwan and Mexico.

### Dimensions



### Features

- Emergency battery back-up included
- Optional surface mount and dry wall frame kits available
- Optional programmable occupancy sensor for multi-level lighting control
- 0-10V dimming standard on all models
- 100,000-hour LED lifespan
- 5-year warranty

### Ordering Matrix

Family	Size	Watts	Color Temp	Dimming	Sensor	Battery Backup
SWISH	2X2	29	YN	/D10		/E2
	2X2 = 2' x 2'	19 = 19W 29 = 29W	Y = 3000K (Warm) YN = 3500K (Warm Neutral) N = 4000K (Neutral)	/D10 = Dimmable	Blank = No Occupancy Sensor /MVS = Occupancy Sensor	/E2 = 120-277V Battery Backup