

SWISH2X2- 29YN/D10/MVS



LED efficiency and performance in an economical 2'x2' center basket troffer.

Color: White

Weight: 13.7 lbs

Project:

Type:

Prepared By:

Date:

Driver Info

Type:	Constant Current
120V:	0.24A
208V:	0.15A
240V:	0.13A
277V:	0.11A
Input Watts:	29W
Efficiency:	99%

LED Info

Watts:	29W
Color Temp:	3500K
Color Accuracy:	85 CRI
L70 Lifespan:	100000
Lumens:	3,528
Efficacy:	121 LPW

Technical Specifications

Listings

UL Listing:

Suitable for damp locations

DLC Listed:

This product is listed by Design Lights Consortium (DLC) as an ultra-efficient premium product that qualifies for the highest tier of rebates from DLC Member Utilities.

DLC Product Code: PNV8MPZT

IESNA LM-79 & IESNA LM-80 Testing:

RAB LED luminaires have been tested by an independent laboratory in accordance with IESNA LM-79 and 80, and have received the Department of Energy "Lighting Facts" label.

Electrical

Driver:

Class 2, Constant Current, 100-277V, 50/60Hz, 120V: 0.201A, 208V: 0.24A, 240V: 0.13A, 277V: 0.11A, THD <15%, Power Factor >90%, 4kV surge protection

Dimming Driver:

Driver includes dimming control for 0-10V dimming systems. Requires separate 0-10V DC dimming circuit. Dims as low as 10%.

THD:

13.3% at 120V, 12.4% at 277V

Power Factor:

99.0% at 120V, 92.1% at 277V

Smart Sensing:

Programmable occupancy sensor for multi-level lighting control. Includes manual override from a light switch.

Construction

Ambient Temperature:

Suitable for 40°C (104°F) ambient temperatures

IC Rating:

Suitable for direct contact with insulation

Housing:

Die-formed, 20-gauge, cold-rolled steel

Mounting:

Integral T-grid clips make installation easy and secure

Reflector:

High-reflectance, powder-coated finish, optimized for uniform distribution

Lens:

Snap-in, frosted polycarbonate lens

Finish:

Our environmentally friendly polyester powder coatings are formulated for high-durability and long-lasting color, and contains no VOC or toxic heavy metals.

Green Technology:

Mercury and UV free. RoHS compliant components. Polyester powder coat finish formulated without the use of VOC or toxic heavy metals.

LED Characteristics

LEDs:

Long-life, high-efficiency surface mount LEDs

Lifespan:

100,000-hour LED lifespan based on IES LM-80 results and TM-21 calculations.

Color Stability:

LED color temperature is warranted to shift no more than 200K in CCT over a 5 year period.

Color Uniformity:

RAB's range of CCT (Correlated Color Temperature) follows the guidelines of the American National Standard for Specifications for the Chromaticity of Solid State Lighting (SSL) Products, ANSI C78.377-2011.

Other

Replacement:

29 Watt 2x2 replaces (3) F17 T8 or (3) F14 T5

Warranty:

RAB warrants that our LED products will be free from defects in materials and workmanship for a period of five (5) years from the date of delivery to the end user, including coverage of light output, color stability, driver performance and fixture finish.

Patents:

This design is protected by patents pending in US, Canada, China, Taiwan and Mexico.

Country of Origin:

Designed by RAB in New Jersey and assembled in the USA by RAB's IBEW Local 3 workers.

Buy American Act Compliant:

This product is a COTS item manufactured in the United States, and is compliant with the Buy American Act.

Recovery Act (ARRA) Compliant:

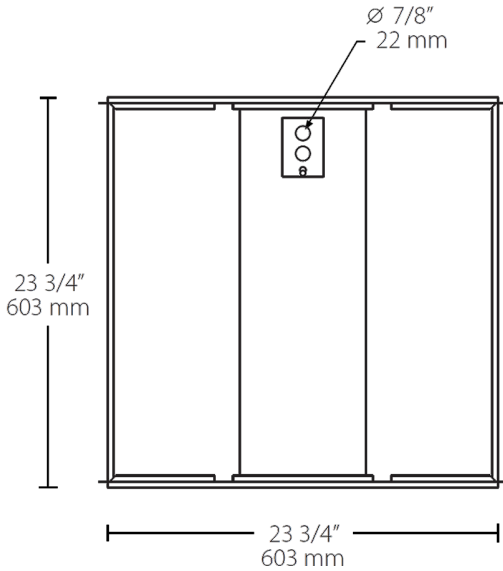
This product complies with the 52.225-21 "Required Use of American Iron, Steel, and Manufactured Goods-- Buy American Act-- Construction Materials (October 2010).

SWISH2X2- 29YN/D10/MVS

Technical Specifications (continued)

<p>Other</p> <hr/> <p>Trade Agreements Act Compliant: This product is a COTS item manufactured in the United States, and is compliant with the Trade Agreements Act.</p> <p>GSA Schedule: Suitable in accordance with FAR Subpart 25.4.</p> <p>Replacement: 19 Watt 2x2 replaces (2) F17 T8 or (2) F24 T5</p> <hr/> <p>Sensor Specifications</p> <p>Capacitance Load: 400W at 120V, 800W at 230V, 1000W at 277V</p> <p>Operating Temperature: -20°C to +60°C (-4°F to +140°F)</p> <p>Relay: Zero-cross relay</p> <p>Maximum Mounting Height: 5m</p>	<p>Customizable Detection Area: 10, 50, 75 or 100%</p> <p>Time Delay: 5s, 30s, 1min, 5min, 10min, 20min, 30min</p> <p>Cut Off Period: 0s, 10s, 1min, 5min, 10min, 30min, 1hr, Bi-Level</p> <p>Cut Off Dimming level: 10, 20, 30, 50%</p> <p>Cut Off Power: Less than 1W</p> <p>Daylight Threshold: About .2-5 fc for disabled</p> <p>Sensor Principle: High Frequency</p>	<p>Microwave Frequency: 5.8GHz +/- 75MHz</p> <p>Microwave Power: <0.2mW</p> <p>Detection Range Max: 16m across, 10m high</p> <p>Detection Angle: About 30 to 150 degrees</p> <p>Remote Control: Adjust settings using remote control (catalog# MVSREM). Only available with 0-10V dimming driver options.</p>
--	--	---

Dimensions



Features

- Ultra-efficient performance with DLC Premium listing
- Optional surface mount and drywall frame kits available
- Optional programmable occupancy sensor for multi-level lighting control
- 0-10V dimming standard on all models
- 100,000-hour LED lifespan 5-year warranty

Ordering Matrix

Family	Size	Watts	Color Temp	Dimming	Sensor
SWISH	2X2	29	YN	/D10	/MVS
	2X2 = 2' x 2'	19 = 19W 29 = 29W	Y = 3000K (Warm) YN = 3500K (Warm Neutral) N = 4000K (Neutral)	/D10 = Dimmable	Blank = No Occupancy Sensor /MVS = Occupancy Sensor