



<b>Project:</b>	<b>Type:</b>
<b>Prepared By:</b>	<b>Date:</b>

Driver Info		LED Info	
Type	Constant Current	Watts	29W
120V	0.25A	Color Temp	Field Adjustable
208V	0.14A	Color Accuracy	83-84 CRI
240V	0.12A	L70 Lifespan	100,000 Hours
277V	0.11A	Lumens	2227-4408
Input Watts	18-36.9W	Efficacy	116.5-126.1 lm/W

## Technical Specifications

### Field Adjustability

#### Field Adjustable:

Field adjustable light output:  
2' x 2': 19W/29W/39W (factory default 29W)  
Color temperature (selectable by 3500K and 4000K)

### Compliance

#### UL Listed:

Suitable for dry and damp locations.

#### CCEA Compliant:

Luminaire Requirements used in Environmental Air Space per the electrical code specification of the City of Chicago

#### IESNA LM-79 & IESNA LM-80 Testing:

RAB LED luminaires and LED components have been tested by an independent laboratory in accordance with IESNA LM-79 and LM-80.

### Performance

#### Lifespan:

100,000-Hour LED lifespan based on IES LM-80 results and TM-21 calculations

### Electrical

#### Drivers:

Class 2, Constant Current, 120-277V, 50/60Hz  
19W: 120V: 0.16A, 208V: 0.10A, 240V: 0.08A, 277V: 0.07A  
29W: 120V: 0.25A, 208V: 0.14A, 240V: 0.12A, 277V: 0.11A  
39W: 120V: 0.33A, 208V: 0.19A, 240V: 0.17A, 277V: 0.14A

#### Dimming Driver:

Driver includes dimming control wiring for 0-10V dimming systems. Requires separate 0-10V DC dimming circuit. Dims down to 10%.

#### THD:

2.49% at 120V, 4.56% at 277V

#### Power Factor:

99.8% at 120V, 94.75% at 277V

#### Surge Protection:

2kV

### LED Characteristics

#### LEDs:

Long-life, high-efficacy, discrete, surface-mount LEDs

#### Color Stability:

LED color temperature is warrantied to shift no more than 200K in color temperature over a 5-year period

#### Color Uniformity:

RAB's range of Correlated Color Temperature follows the guidelines of the American National Standard for Specifications for the Chromaticity of Solid State Lighting (SSL) Products, ANSI C78.377-2017.

### Construction

#### Ambient Operating Temperature:

-20°C (-4°F) to 40°C (104°F)

**Technical Specifications (continued)**

**Construction**

**IC Rated:**

Suitable for direct contact with insulation

**Housing:**

Galvanized sheet metal

**Mounting:**

Recessed into T-grid ceiling. Surface and recessed mounting kits available for drywall ceilings.

**Reflector:**

Aluminum with high reflectance white finish, optimized for uniform distribution.

**Lens:**

Frosted polystyrene

**Finish:**

Formulated for high durability and long-lasting color

**Green Technology:**

Mercury and UV free. RoHS-compliant components.

**Sensor Specifications**

**Capacitance Load:**

400VA at 120VAC, 800VA at 230VAC, 1000VA at 277VAC

**Operating Temperature:**

-20°C to +60°C (-4°F to +140°F)

**Relay:**

Zero-cross relay

**Maximum Mounting Height:**

16.4 feet

**Customizable Detection Area:**

10, 50, 75 or 100%

**Time Delay:**

5s, 30s, 1min, 5min, 10min, 20min, 30min

**Cut Off Period:**

0s, 10s, 1min, 5min, 10min, 30min, 1hr, Bi-Level

**Cut-Off Dimming level:**

10, 20, 30, 50%

**Cut-Off Power:**

Less than 1W

**Daylight Threshold:**

About .2-5 fc for disabled

**Sensor Principle:**

High Frequency

**Microwave Frequency:**

5.8GHz +/- 75MHz

**Microwave Power:**

<0.2mW

**Max Detection Range:**

26 ft. diameter at 16 ft. mounting height

**Detection Angle:**

About 30 to 150 degrees

**Remote Control:**

Adjust settings using remote control (catalog# MVSREM). Only available with 0-10V dimming driver options. [Remote control available here.](#)

**Other**

**Warranty:**

RAB warrants that our LED products will be free from defects in materials and workmanship for a period of five (5) years from the date of delivery to the end user, including coverage of light output, color stability, driver performance and fixture finish. RAB's warranty is subject to all terms and conditions found at [rablighting.com/warranty](http://rablighting.com/warranty).

**Trade Agreements Act Compliant:**

This product is a product of Cambodia and a "designated country" end product that complies with the Trade Agreements Act

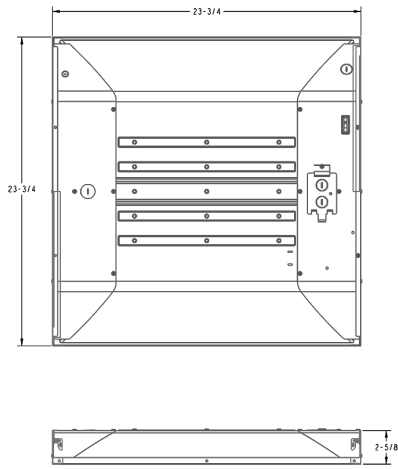
**Buy American Act Compliance:**

RAB values USA manufacturing! Upon request, RAB may be able to manufacture this product to be compliant with the Buy American Act (BAA). Please contact customer service to request a quote for the product to be made BAA compliant.

**Equivalency:**

Equivalent to (4) F17T8 or (4) F14T5

## Dimensions



## Features

- Field-adjustable light output (3 discrete steps)
- White tunable (2 discrete color temperatures)
- 100,000-Hour LED lifespan
- 5-Year, No-Compromise Warranty

## Ordering Matrix

Family	Size	Options
SWISHFA-ISLAND	2X2	/MVS
	2X2 = 2' x 2'   19W/29W/39W   3500K/4000K 2X4 = 2' x 4'   29W/39W/49W   3500K/4000K	Blank = No Option /E = Battery Backup /LC = Lightcloud® Controller /LCS = Lightcloud® Sensor /MVS = Microwave Occupancy Sensor /LC/E = Lightcloud® Controller w/ Battery Backup /LCS/E = Lightcloud® Sensor w/ Battery Backup /MVS/E = Microwave Occupancy Sensor w/ Battery Backup