



Color: White

Weight: 13.9 lbs

<b>Project:</b>	<b>Type:</b>
<b>Prepared By:</b>	<b>Date:</b>

Driver Info		LED Info	
Type	Constant Current	Watts	29.00W
120V	0.25A	Color Temp	4000K (Neutral)
208V	0.15A	Color Accuracy	85 CRI
240V	0.13A	L70 Lifespan	100,000
277V	0.12A	Lumens	3,954
Input Watts	29.00W	Efficacy	136.3 LPW
Efficiency	N/A		

## Technical Specifications

### Listings

#### UL Listing:

Suitable for damp locations

#### IESNA LM-79 & IESNA LM-80 Testing:

RAB LED luminaires and LED components have been tested by an independent laboratory in accordance with IESNA LM-79 and LM-80.

#### DLC Listed:

This product is on the Design Lights Consortium (DLC) Qualified Products List and is eligible for rebates from DLC Member Utilities. DLC Product Code: PD0NA0YP

### Electrical

#### Driver:

Class 2, Constant Current, 120-277V, 50/60 Hz, 120V: 0.25A, 208V: 0.14A, 240V: 0.12A, 277V: 0.11A

#### Dimming Driver:

Driver includes dimming control wiring for 0-10V dimming systems. Requires separate 0-10V DC dimming circuit. Dims as low as 10%.

#### THD:

4.65% at 120V, 16.05% at 277V

#### Power Factor:

99.8% at 120V, 97.4% at 277V

#### Surge Protection:

2kV

### Construction

#### Cold Weather Starting:

The minimum starting temperature is -30°C (-22°F)

#### Ambient Temperature:

Suitable for 40°C (104°F)

#### IC Rating:

Suitable for direct contact with insulation

#### Housing:

Die-formed, 20-gauge, cold-rolled steel

#### Mounting:

Recessed ceiling

#### Reflector:

Integral reflector (on the sides) with high reflectance finish, optimized for uniform distribution.

#### Lens:

Frosted polycarbonate

#### Finish:

Formulated for high durability and long-lasting color

#### Green Technology:

Mercury and UV free. RoHS-compliant components.

### LED Characteristics

#### LEDs:

Long-life, high-efficacy surface-mount LEDs

#### Lifespan:

100,000-hour LED lifespan based on IES LM-80 results and TM-21 calculations

## Technical Specifications (continued)

### LED Characteristics

#### Color Stability:

LED color temperature is warrantied to shift no more than 200K in CCT over a 5-year period

#### Color Uniformity:

RAB's range of CCT (Correlated Color Temperature) follows the guidelines of the American National Standard for Specifications for the Chromaticity of Solid State Lighting (SSL) Products, ANSI C78.377-2017.

### Other

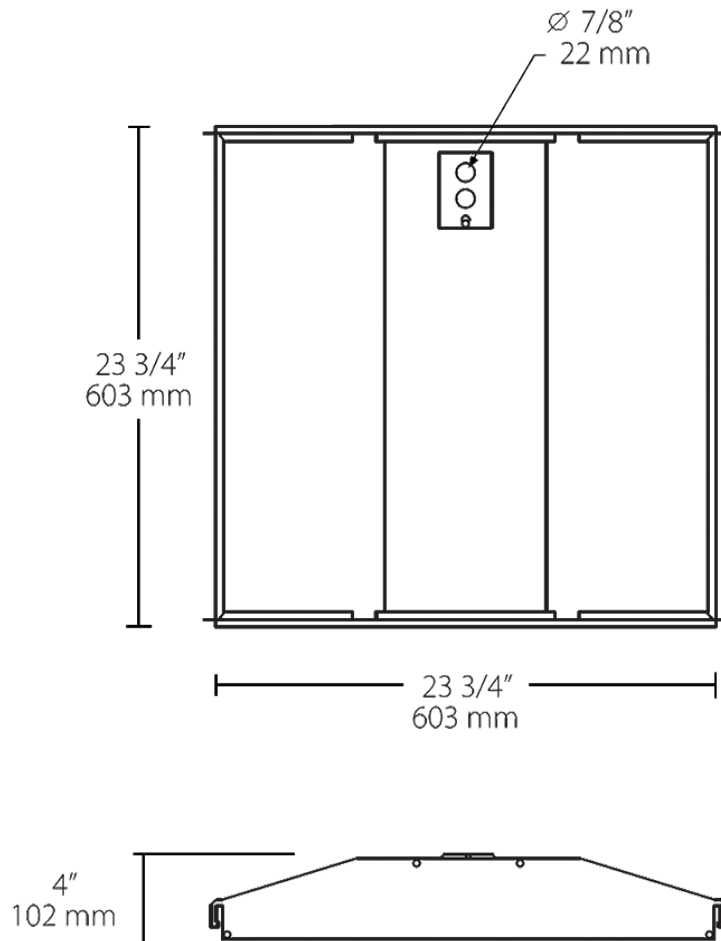
#### Warranty:

RAB warrants that our LED products will be free from defects in materials and workmanship for a period of five (5) years from the date of delivery to the end user, including coverage of light output, color stability, driver performance and fixture finish. RAB's warranty is subject to all terms and conditions found at [rablighting.com/warranty](http://rablighting.com/warranty).

#### Buy American Act Compliance:

RAB values USA manufacturing! Upon request, RAB may be able to manufacture this product to be compliant with the Buy American Act (BAA). Please contact customer service to request a quote for the product to be made BAA compliant.

## Dimensions



## Ordering Matrix

Family	Size	Voltage / Driver	Options
SWISHFA	2X2	/D10	

2X2 = 2' x 2'  
2X4 = 2' x 4'

/D10 = 0-10V Dimming

**Blank** = No Option  
**/MVS** = Microwave Sensor  
**/LC** = Lightcloud Control  
**/E2** = Emergency Battery Backup