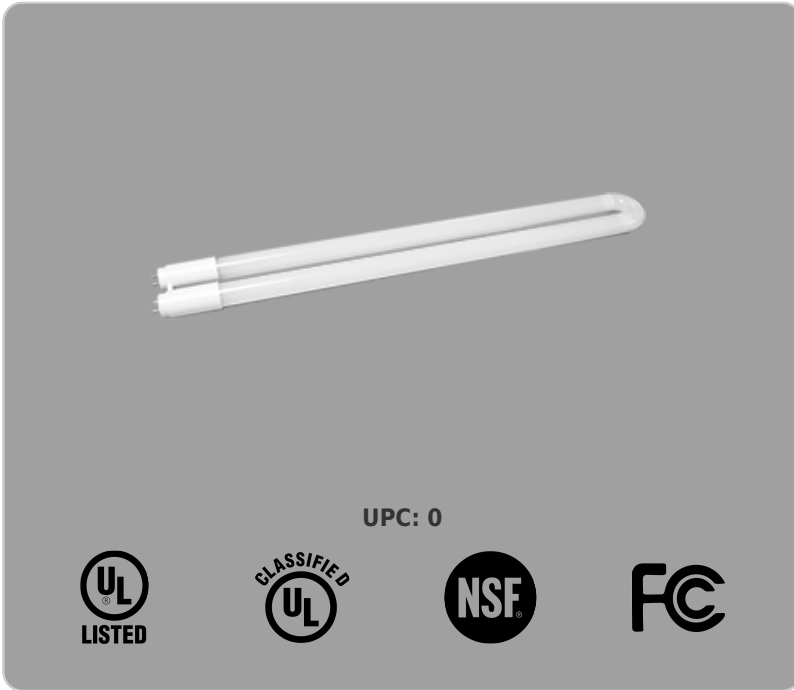


<b>Project:</b>	<b>Type:</b>	<b>Prepared By:</b>	<b>Date:</b>
-----------------	--------------	---------------------	--------------



**Features and Benefits**

Direct Replacement for Fluorescent Lamps: F32T8/32W, F32T8/30W, F32T8/28W, F32T8/25W

TYPE A - Plug and play compatible with most common commercial instant start T8 electronic ballasts

TYPE B - can be wired directly to line voltage 120-277V. Can be wired using Single or Double ended method

Works with both shunted and non-shunted sockets

50,000 hour Lifespan

Rated for use in enclosed and open fixtures in dry or damp locations

Diffused frosted lens will maintain the same light quality over time

Instant on full brightness

Environmentally friendly, no mercury used

NSF Listed: NSF/ANSI Standard 2 - Food Equipment - Splash Zone (Not for Direct Food Zone without additional fixture considerations)

<b>Technical Specifications</b>		
<b>Performance</b>	<b>Dimmable:</b>	<b>Lens Finish:</b>
<b>Product Type:</b> Linear	Type A - Yes, dependent on dimming ballast used	Frosted
<b>Input Wattage:</b> 13W	<b>L70 Lifespan:</b> 50,000-Hour LED lifespan based on IES LM-80 results and TM-21 calculations	<b>Base Type:</b> 2G13
<b>Lumens (Nominal):</b> 1900	<b>Construction</b>	<b>Beam Angle:</b> 140°
<b>Efficacy:</b> 146 lm/W	<b>Length Nominal:</b> 2FT-U1	<b>Electrical</b>
<b>Color Accuracy:</b> 80	<b>Bulb Shape:</b> T8 UBEND	<b>THD:</b> ≤20%
<b>Color Temperature:</b> 3000K	<b>Enclosure Material:</b> Plastic	<b>Power Factor:</b> >0.9
	<b>Housing Finish:</b> White	

## Technical Specifications (continued)

### Electrical

#### Operating Temperature:

-20°C-45°C

#### Input Voltage:

Type B - 120-277 / Type A - dependent on the ballast

#### Operating Frequency:

50 / 60 Hz

### Installation

#### Installation Method:

UL TYPE A and B (Dual Mode) - Single or Double Ended Wire

### Other

#### Equivalency:

F32T8

### Technology EQ:

Fluorescent

### Warranty (Years):

RAB warrants that our LED products will be free from defects in materials and workmanship for a period of five (5) years from the date of delivery to the end user, including coverage of light output, color stability, driver performance and fixture finish. RAB's warranty is subject to all terms and conditions found at [rablighting.com/warranty](http://rablighting.com/warranty).

### Compliance

#### Safety Listing:

UL Listed, UL Classified

#### Environment/Fixture Rating:

Damp / Enclosed

### NSF Listing:

NSF/ANSI Standard 2 - Food Equipment (non-contact), Splash Zone, and Non-Food Zone. (Not for Direct Food Zone without additional fixture considerations)

### DLC:

This product is on the Design Lights Consortium (DLC) Qualified Products List and is eligible for rebates from DLC Member Utilities. DLC Product Code: PEQVOQE0

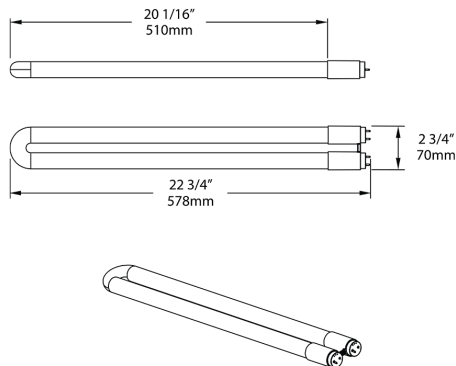
### RoHS:

Mercury and UV free. RoHS-compliant components.

### FCC:

Complies with Part 15 of the FCC Rules

## Dimension



## Light Distribution

