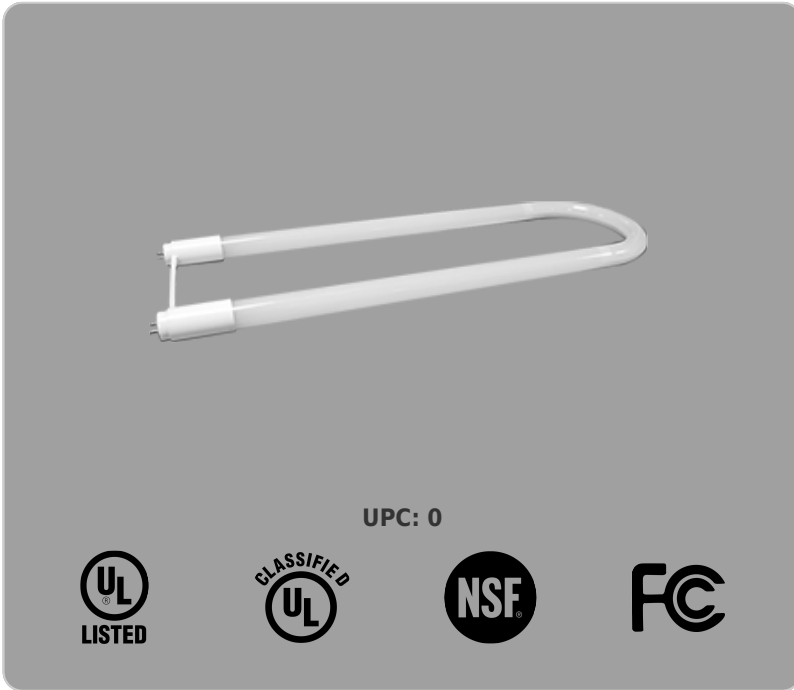


Project:	Type:	Prepared By:	Date:
-----------------	--------------	---------------------	--------------



Features and Benefits

Direct Replacement for Fluorescent Lamps: F32T8/32W, F32T8/30W, F32T8/28W, F32T8/25W

TYPE A - Plug and play compatible with most common commercial instant start T8 electronic ballasts

TYPE B - can be wired directly to line voltage 120-277V. Can be wired using Single or Double ended method

Works with both shunted and non-shunted sockets

50,000 hour Lifespan

Rated for use in enclosed and open fixtures in dry or damp locations

Diffused frosted lens will maintain the same light quality over time

Instant on full brightness

Environmentally friendly, no mercury used

NSF Listed: NSF/ANSI Standard 2 - Food Equipment - Splash Zone (Not for Direct Food Zone without additional fixture considerations)

Technical Specifications		
Performance	Dimmable:	Lens Finish:
Product Type: Linear	Type A - Yes, dependent on dimming ballast used	Frosted
Input Wattage: 13W	L70 Lifespan: 50,000-Hour LED lifespan based on IES LM-80 results and TM-21 calculations	Base Type: 2G13
Lumens (Nominal): 1900	Construction	Beam Angle: 140°
Efficacy: 146 lm/W	Length Nominal: 2FT-U6	Electrical
Color Accuracy: 80	Bulb Shape: T8 UBEND	THD: ≤20%
Color Temperature: 3000K	Enclosure Material: Plastic	Power Factor: >0.9
	Housing Finish: White	

Technical Specifications (continued)

Electrical

Operating Temperature:

-20°C-45°C

Input Voltage:

Type B - 120-277 / Type A - dependent on the ballast

Operating Frequency:

50 / 60 Hz

Installation

Installation Method:

UL TYPE A and B (Dual Mode) - Single or Double Ended Wire

Other

Equivalency:

F32T8

Technology EQ:

Fluorescent

Warranty (Years):

RAB warrants that our LED products will be free from defects in materials and workmanship for a period of five (5) years from the date of delivery to the end user, including coverage of light output, color stability, driver performance and fixture finish. RAB's warranty is subject to all terms and conditions found at rablighting.com/warranty.

Compliance

Safety Listing:

UL Listed, UL Classified

Environment/Fixture Rating:

Damp / Enclosed

NSF Listing:

NSF/ANSI Standard 2 - Food Equipment (non-contact), Splash Zone, and Non-Food Zone. (Not for Direct Food Zone without additional fixture considerations)

DLC:

This product is on the Design Lights Consortium (DLC) Qualified Products List and is eligible for rebates from DLC Member Utilities. DLC Product Code: PSLMDEAI

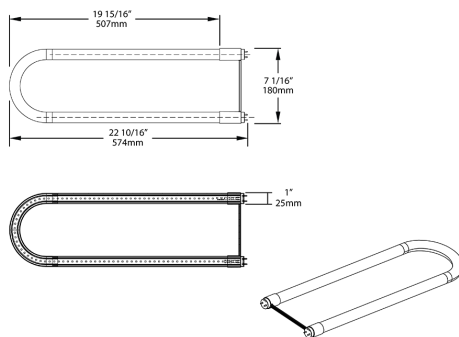
RoHS:

Mercury and UV free. RoHS-compliant components.

FCC:

Complies with Part 15 of the FCC Rules

Dimension



Light Distribution

