



LED roadway lighting that replaces up to 400W HPS. Optics are factory installed and meet IES Distribution Type II.

Color: Gray

Weight: 36.6 lbs

Project:

Type:

Prepared By:

Date:

Driver Info

Type: Constant Current
 120V: 1.2A
 208V: 0.88A
 240V: 0.76A
 277V: 0.66A
 Input Watts: 153W
 Efficiency: 98%

LED Info

Watts: 150W
 Color Temp: 4000K
 Color Accuracy: 71 CRI
 L70 Lifespan: 100000
 Lumens: 19653
 Efficacy: 129 LPW

Technical Specifications

Listings

UL Listing:

Suitable for wet locations.

IESNA LM-79 & IESNA LM-80 Testing:

RAB LED luminaires have been tested by an independent laboratory in accordance with IESNA LM-79 and 80, and have received the Department of Energy "Lighting Facts" label.

Dark Sky Approved:

The International Dark Sky Association has approved this product as a full cutoff, fully shielded luminaire.

DLC Listed:

This product is listed by Design Lights Consortium (DLC) as an ultra-efficient premium product that qualifies for the highest tier of rebates from DLC Member Utilities.
 DLC Product Code: PLWE9T8T

Electrical

Driver:

Constant Current, Class 2, 120-277V, 50/60 Hz, 120V: 1.2A, 208V: 0.88A, 240V: 0.76A, 277V: 0.66A

Dimming Driver:

Driver includes dimming control wiring for 0-10V dimming systems. Requires separate 0-10V DC dimming circuit. Dims as low as 10%.

7-Pin Receptacle:

ANSI C136.41 7-pin receptacle

THD:

7.8% at 120V, 14.1% at 277V

Power Factor:

99.4% at 120V, 95.4% at 277V

Surge Protection:

10kV

Optical

BUG Rating:

B3 U0 G3

Construction

IES Classification:

The Type II distribution is ideal for entrance roadways, collector roads and other long, single-sided and narrow lighting applications. This type of lighting is commonly found on smaller local streets.

IP Rating:

Ingress Protection rating of IP66 for dust and water

Vibration Rating:

Industry-leading 5G vibration rating per ANSI C136.31.

Maximum Ambient Temperature:

Suitable for use in 40°C (104°F) ambient temperatures

Cold Weather Starting:

Minimum starting temperature is -40°C (-40°F)

Thermal Management:

Superior thermal management design with external Air-Flow fins provides maximum operational life, even in high ambient temperature environments.

Housing:

Die cast aluminum housing, lens frame and mounting arm.

Mounting:

Fits most standard roadway upsweep arms. Adaptor brackets supplied fit 1", 1 1/4", 1 1/2" and 2" pipe arms. Fixture can be tilted at the following angles: -5°, -2.5°, 0°, 2.5°, and 5°.

Recommended Mounting Height:

Up to 35 ft.

Effective Projected Area:

EPA = 1.7

Reflector:

Vacuum metalized polycarbonate

Gaskets:

High temperature silicone gaskets

Finish:

Formulated for high-durability and long lasting color.

Green Technology:

Mercury and UV free. RoHS compliant components. Polyester powder coat finish formulated without the use of VOC or toxic heavy metals.

Lens:

Clear tempered glass lens

Technical Specifications (continued)

LED Characteristics

Lifespan:

100,000-hour LED lifespan based on IES LM-80 results and TM-21 calculations.

LEDs:

Multi-chip, high-output, long-life LEDs

Color Uniformity:

RAB's range of CCT (Correlated Color Temperature) follows the guidelines of the American National Standard for Specifications for the Chromaticity of Solid State Lighting (SSL) Products, ANSI C78.377-2017.

Other

10 Yr Limited Warranty:

Fixture operation and paint finish are covered for a period of 10 years.

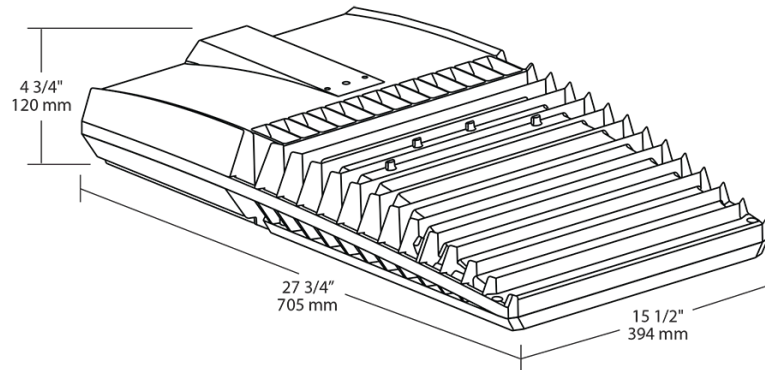
Replacement:

Replaces 400W HPS

Buy American Act Compliance:

RAB values USA manufacturing! Upon request, RAB may be able to manufacture this product to be compliant with the Buy American Act (BAA). Please contact customer service to request a quote for the product to be made BAA compliant.

Dimensions



Features

IP66 Rated

Industry-leading 5G vibration rating per ANSI C136.31

100,000-Hour LED lifespan

10-Year limited warranty

Ordering Matrix

Family	Distribution	Wattage	Color Temp	Finish	Driver Options	Sensor Options
TBLED	2T	150	N	RG	/D10	/7PR
	4T = Type IV	240 =	Blank = 5000K	RG = Gray	/D10 = 0-10V Dimming	/7PR = 7 Pin Receptacle
	3T = Type III	240W	(Cool)		/480/D10 = 480V, 0-10V	/7PR/PCT = 7 Pin Receptacle w/ 120-277V Twistlock
	2T = Type II	150 =	N = 4000K (Neutral)		Dimming	Photocell
		150W	Y = 3000K (Warm)			/PCT4 = 480V Twistlock photocell
		100 =				
		100W				