



LED roadway lighting that replaces up to 400W HPS. Optics are factory installed and meet IES Distribution Type II.

Color: Gray

Weight: 36.6 lbs

**Project:**

**Type:**

**Prepared By:**

**Date:**

### Driver Info

Type: Constant Current  
 120V: 2.85A  
 208V: 1.17A  
 240V: 0.86A  
 277V: 0.86A  
 Input Watts: 235W  
 Efficiency: N/A

### LED Info

Watts: 240W  
 Color Temp: 4000K  
 Color Accuracy: 71 CRI  
 L70 Lifespan: 100000  
 Lumens: 28309  
 Efficacy: 121 LPW

## Technical Specifications

### Listings

#### UL Listing:

Suitable for wet locations.

#### IESNA LM-79 & IESNA LM-80 Testing:

RAB LED luminaires have been tested by an independent laboratory in accordance with IESNA LM-79 and 80, and have received the Department of Energy "Lighting Facts" label.

#### Dark Sky Approved:

The International Dark Sky Association has approved this product as a full cutoff, fully shielded luminaire.

#### DLC Listed:

This product is on the Design Lights Consortium (DLC) Qualified Products List and is eligible for rebates from DLC Member Utilities.  
 DLC Product Code: P2H4WR45

### Electrical

#### Driver:

Constant Current, Class 2, 120-277V, 50/60 Hz, 120V: 2.85A, 1.175A, 240V: 1.019A, 277V: 0.86A

#### Dimming Driver:

Driver includes dimming control wiring for 0-10V dimming systems. Requires separate 0-10V DC dimming circuit. Dims as low as 10%.

#### 7-Pin Receptacle:

ANSI C136.41 7-pin receptacle

#### THD:

6% at 120V, 6.1% at 277V

#### Power Factor:

99.7% at 120V, 96.7% at 277V

#### Surge Protection:

10kV

### Optical

#### BUG Rating:

B3 U0 G4

### Construction

#### IES Classification:

The Type II distribution is ideal for entrance roadways, collector roads and other long, single-sided and narrow lighting applications. This type of lighting is commonly found on smaller local streets.

#### IP Rating:

Ingress Protection rating of IP66 for dust and water

#### Vibration Rating:

Industry-leading 5G vibration rating per ANSI C136.31.

#### Maximum Ambient Temperature:

Suitable for use in 40°C (104°F) ambient temperatures

#### Cold Weather Starting:

Minimum starting temperature is -40°C (-40°F)

#### Thermal Management:

Superior thermal management design with external Air-Flow fins provides maximum operational life, even in high ambient temperature environments.

#### Housing:

Die cast aluminum housing, lens frame and mounting arm.

#### Mounting:

Fits most standard roadway upsweep arms. Adaptor brackets supplied fit 1", 1 1/4", 1 1/2" and 2" pipe arms. Fixture can be tilted at the following angles: -5°, -2.5°, 0°, 2.5°, and 5°.

#### Recommended Mounting Height:

Up to 35 ft.

#### Effective Projected Area:

EPA = 1.7

#### Reflector:

Vacuum metalized polycarbonate

#### Gaskets:

High temperature silicone gaskets

#### Finish:

Formulated for high-durability and long lasting color.

#### Green Technology:

Mercury and UV free. RoHS compliant components. Polyester powder coat finish formulated without the use of VOC or toxic heavy metals.

#### Lens:

Clear tempered glass lens

## Technical Specifications (continued)

### LED Characteristics

#### Lifespan:

100,000-hour LED lifespan based on IES LM-80 results and TM-21 calculations.

#### LEDs:

Multi-chip, high-output, long-life LEDs

#### Color Uniformity:

RAB's range of CCT (Correlated Color Temperature) follows the guidelines of the American National Standard for Specifications for the Chromaticity of Solid State Lighting (SSL) Products, ANSI C78.377-2017.

#### Other

#### 10 Yr Limited Warranty:

Fixture operation and paint finish are covered for a period of 10 years.

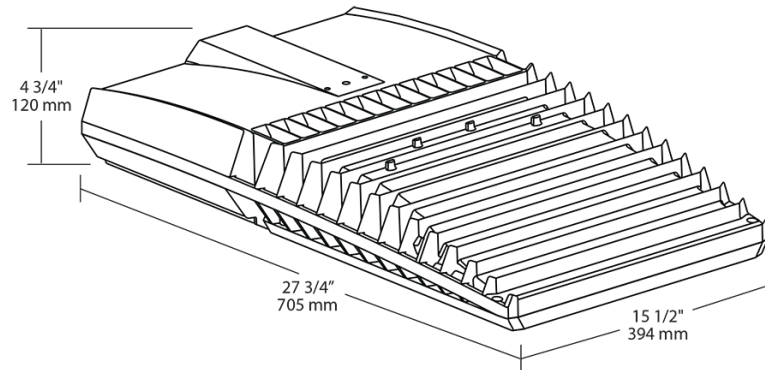
#### Replacement:

Replaces 400W HPS

#### Buy American Act Compliance:

RAB values USA manufacturing! Upon request, RAB may be able to manufacture this product to be compliant with the Buy American Act (BAA). Please contact customer service to request a quote for the product to be made BAA compliant.

### Dimensions



### Features

IP66 Rated

Industry-leading 5G vibration rating per ANSI C136.31

100,000-Hour LED lifespan

10-Year limited warranty

### Ordering Matrix

Family	Distribution	Wattage	Color Temp	Finish	Driver Options	Sensor Options
TBLED	2T	240	N	RG	/D10	/7PR
	4T = Type IV 3T = Type III 2T = Type II	240 = 240W 150 = 150W 100 = 100W	Blank = 5000K (Cool) N = 4000K (Neutral) Y = 3000K (Warm)	RG = Gray	/D10 = 0-10V Dimming /480/D10 = 480V, 0-10V Dimming	/7PR = 7 Pin Receptacle /7PR/PCT = 7 Pin Receptacle w/ 120-277V Twistlock Photocell /PCT4 = 480V Twistlock photocell